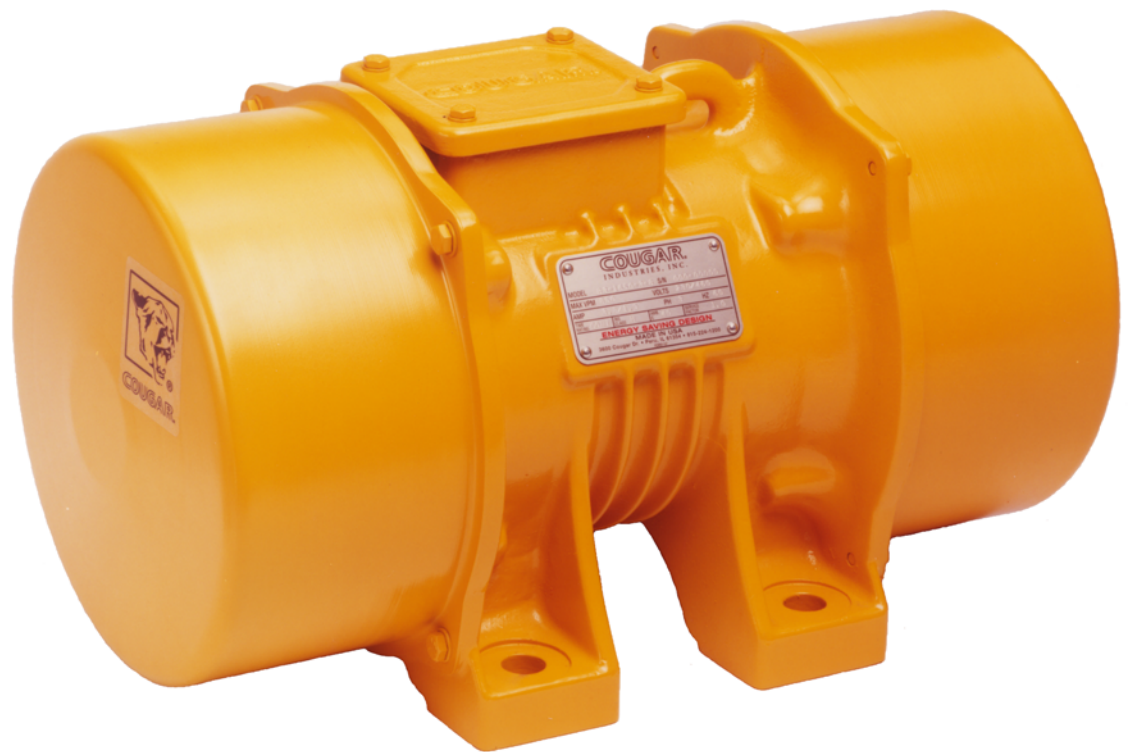




# **Cougar<sup>®</sup> B Series Electric Vibrators 4 Frame**

[Go to Cougar<sup>®</sup> B Series Electric Vibrators web page](#)



**Operator's Manual  
M3930**

# Important

MARTIN ENGINEERING HEREBY DISCLAIMS ANY LIABILITY FOR: DAMAGE DUE TO CONTAMINATION OF THE MATERIAL; USER'S FAILURE TO INSPECT, MAINTAIN AND TAKE REASONABLE CARE OF THE EQUIPMENT; INJURIES OR DAMAGE RESULTING FROM USE OR APPLICATION OF THIS PRODUCT CONTRARY TO INSTRUCTIONS AND SPECIFICATIONS CONTAINED HEREIN. MARTIN ENGINEERING'S LIABILITY SHALL BE LIMITED TO REPAIR OR REPLACEMENT OF EQUIPMENT SHOWN TO BE DEFECTIVE.

Observe all safety rules given herein along with owner and Government standards and regulations. Know and understand lockout/tagout procedures as defined by American National Standards Institute (ANSI) z244.1-1982, *American National Standard for Personnel Protection - Lockout/Tagout of Energy Sources - Minimum Safety Requirements* and Occupational Safety and Health Administration (OSHA) Federal Register, Part IV, 29 CFR Part 1910, *Control of Hazardous Energy Source (Lockout/Tagout); Final Rule*.

The following symbols may be used in this manual:



**Danger:** Immediate hazards that will result in severe personal injury or death.



**Warning:** Hazards or unsafe practices that could result in personal injury.



**Caution:** Hazards or unsafe practices that could result in product or property damages.



**Important:** Instructions that must be followed to ensure proper installation/operation of equipment.



**Note:** General statements to assist the reader.

# Table of Contents

---

<b>Section</b>	<b>Page</b>
List of Figures .....	ii
List of Tables .....	ii
Introduction .....	1
General .....	1
References .....	1
Safety .....	1
Storage .....	1
Before Installing Vibrator .....	2
Installing Vibrator .....	3
Mounting vibrator onto structure .....	3
Connecting power to vibrator .....	4
Installing overload, short-circuit, and ground-fault protection .....	6
After Installing Vibrator .....	7
Checking shaft rotation .....	7
Adjusting eccentric weights .....	7
Initial start up/checking line current .....	9
Variable frequency inverter .....	10
Maintenance .....	11
Lubricating vibrator .....	11
Repairing motor and replacing bearings .....	11
Inspecting vibrator .....	12
Part Numbers .....	13

## List of Figures

---

<b>Figure</b>	<b>Title</b>	<b>Page</b>
1	Mounting Bolt Tightening Sequence .....	3
2	Installing Restraining Cable .....	4
3	Three Phase Wiring Diagrams. ....	5
4	Adjusting Eccentric Weights. ....	8
5	Setting Sets of Eccentric Weights to Mirror Images. ....	13
6	Cougar <sup>®</sup> Electric Vibrator, Model B3-6600-4-2. ....	14
7	Cougar <sup>®</sup> Electric Vibrator, Model B3-8800-4-2. ....	15
8	Cougar <sup>®</sup> Electric Vibrator, Model B3-7700-4-4. ....	16
9	Cougar <sup>®</sup> Electric Vibrator, Model B3-10000-4-4. ....	17
10	Cougar <sup>®</sup> Electric Vibrator, Model B3-12300-4-4. ....	18
11	Cougar <sup>®</sup> Electric Vibrator, Model B3-4000-4-6. ....	19
12	Cougar <sup>®</sup> Electric Vibrator, Model B3-5500-4-6. ....	20
13	Cougar <sup>®</sup> Electric Vibrator, Model B3-7100-4-6. ....	21
14	Cougar <sup>®</sup> Electric Vibrator, Model B3-2100-4-8. ....	22
15	Cougar <sup>®</sup> Electric Vibrator, Model B3-2900-4-8. ....	23
16	Cougar <sup>®</sup> Electric Vibrator, Model B3-3750-4-8. ....	24

## List of Tables

---

<b>Table</b>	<b>Title</b>	<b>Page</b>
I	Mounting Bolts and Torque Requirements .....	3
II	Lubrication Schedule For Each Bearing .....	11
III	Cougar <sup>®</sup> Electric Vibrator Model Numbers and Part Numbers .....	13

## **General**

Cougar<sup>®</sup> Electric Vibrators are designed and manufactured to ensure the best performance and reliability in severe-duty applications. The vibrator motor has a recommended operational ambient temperature and mounting surface temperature range of -22 to 104°F (-30 to 40°C). If operating the motor in environments beyond these temperatures, call Martin Engineering, as the vibrator may require rating reduction, more frequent lubrication, or lubrication substitution.

This manual provides instructions for installation onto steel bins and hoppers only. For installation onto other structures, call Martin Engineering or a representative.

## **References**

The following documents are referenced in this manual:

- *The National Electrical Code (NEC)*, National Fire Protection Association, 1 Batterymarch Park, P.O. Box 9101, Quincy MA 02269-9101.
- American National Standards Institute (ANSI) z244.1-1982, *American National Standard for Personnel Protection - Lockout/Tagout of Energy Sources - Minimum Safety Requirements*, American National Standards Institute, Inc., 1430 Broadway, New York, NY 10018.
- Code of Federal Regulation (CFR) 29, Part 1910, *Control of Hazardous Energy Source (Lockout/Tagout); Final Rule*, Department of Labor, Occupational Safety and Health Administration (OSHA), 32nd Floor, Room 3244, 230 South Dearborn Street, Chicago, IL 60604.
- CFR 29, Part 1910.15, *Occupational Noise Exposure*, Department of Labor, OSHA, 32nd Floor, Room 3244, 230 South Dearborn Street, Chicago, IL 60604.

## **Safety**

All safety rules defined in the above documents and all owner/employer safety rules must be strictly followed when working on the vibrator.

## **Storage**

Store vibrator in an ambient temperature not less than 41°F (5°C) with a relative humidity not more than 60%. If the vibrator has been stored for 2 or more years, remove bearings, wash them, and repack them with new grease (see “Maintenance”).

## Before Installing Vibrator

---

### IMPORTANT

The delivery service is responsible for damage occurring in transit. Martin Engineering CANNOT enter claims for damages. Contact your transportation agent for more information.

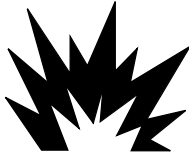
1. Inspect shipping container/pallet for damage. Report damage to delivery service immediately and fill out delivery service's claim form. Keep any damaged goods subject to examination.
2. Remove vibrator from shipping container/pallet.
3. If anything is missing contact Martin Engineering or a representative.



### WARNING

Turn off and lock out/tag out all energy sources to conveyor/loading systems to mounting structure.

4. Before installing vibrator, turn off and lock out/tag out all energy sources to conveyor/loading systems to mounting structure according to ANSI standards (see "References").



### WARNING

If equipment will be installed in an enclosed area, gas level or dust content must be tested before using a cutting torch or welding. Using a cutting torch or welding in an area with gas or dust may cause an explosion.

5. If using a cutting torch or welding, test atmosphere for gas level or dust content.
6. Mounting surface must be strong and flat, 0.01 in. (0.25 mm) across vibrator feet. (This will minimize internal stress to vibrator casting when tightening mount bolts. Welding in the area of the mounting surface could affect its flatness.)
7. Make sure mounting surface is free of paint and debris and foot of vibrator is clean.

# Installing Vibrator

## Mounting vibrator onto structure

### **CAUTION**

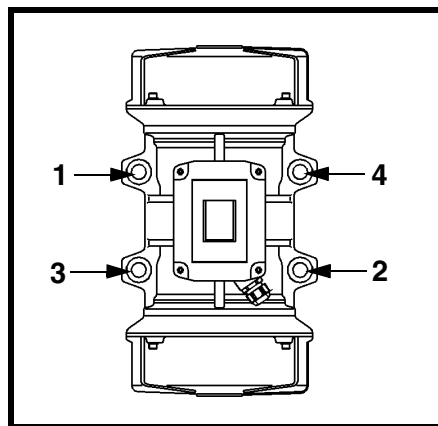
Never weld structure with vibrator mounted and wired. Welding may cause damage to motor windings and bearings.

Use only new Grade 5 bolts and lock nuts to install vibrator. Old fasteners can break and cause damage to vibrator or structure.

Do not use split lock washers to install vibrator onto mount. Damage to vibrator could result.

Tighten mounting bolts in sequence shown in Figure 1. If not tightened in order, vibrator casting could be damaged.

1. Before installing vibrator onto mount, apply thread sealing compound to all bolts.
2. Install vibrator onto mount with new lock nuts, compression washers, and bolts according to Table I. Tighten bolts in order given in Figure 1 to avoid damaging vibrator casting. (Contact fastener manufacturer for specific information regarding bolt torque.)



**Figure 1. Mounting Bolt Tightening Sequence**

3. After the vibrator has been operated for 10 to 20 minutes, check bolt torque. Tighten if necessary.

**Table I. Mounting Bolts and Torque Requirements\***

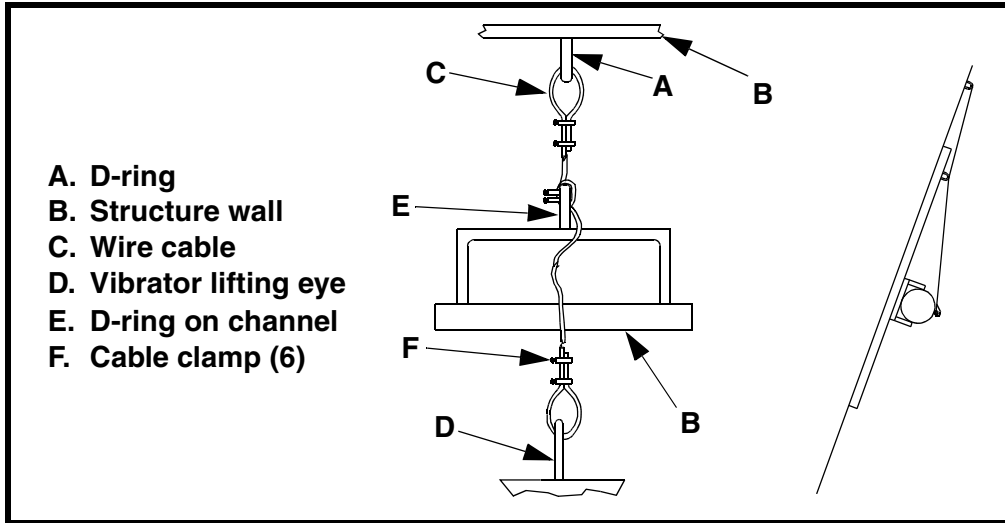
English		Metric	
Bolt Size (Gr 5)	Dry Torque (ft-lb)	Bolt Size	Dry Torque (N•m)
3/8 in. -16NC	31	M10	42
1/2 in. -13NC	75	M12	102
5/8 in. -11NC	150	M16	203
3/4 in. -10NC	265	M20	360
1 in. -8NC	640	M24	868

\*Torque specifications are for reference only. Contact fastener manufacturer for specific information regarding bolt torque.

**⚠ WARNING**

If vibrator is mounted more than 6 in. (152 mm) above ground, install cable securing vibrator to structure. Without cable, vibrator could fall and cause injury.

4. Secure vibrator to structure by installing Martin® Safety Cable Kit, P/N 32271, or equivalent as follows:



**Figure 2. Installing Restraining Cable**

- a. Weld D-ring (A, Figure 2) onto structure wall (B) above vibrator.
- b. Loop 1/4-in. (6 mm) wire cable (C) through vibrator lifting eye (D) and D-ring on structure wall.
- c. If using a mounting plate and channel assembly, also loop cable through D-ring on channel (E) as shown. Take up slack so cable is taut.
- d. Apply thread-sealing compound to nuts on cable clamps (F). Install six cable clamps (two on each end and two on loop around D-ring on channel) to secure cable to vibrator eye and D-rings. Tighten nuts on cable clamps.
- e. Trim loose ends of wire cable.

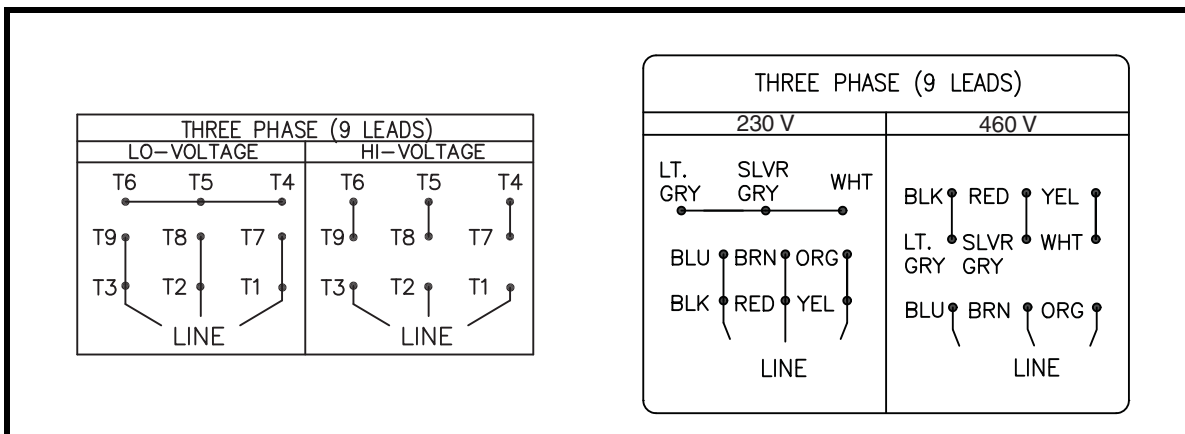
**⚠ WARNING**

Wire vibrator in accordance with National Electrical Code Article 430. Have wiring installed by a qualified electrician only.

*Connecting power to vibrator*

1. Find wiring diagram number for your vibrator on vibrator nameplate or see Figure 3.





**Figure 3. Three Phase Wiring Diagrams**

**⚠ CAUTION**

**Before running cord to vibrator, make sure cord voltage rating equals or exceeds the voltage at which you will be operating the vibrator. It must have a minimum temperature rating of 221°F (105°C). If wire is not proper diameter, cord grip will not tighten properly and vibrator could be damaged by moisture or material getting inside wiring compartment. If cord is damaged, it could short power supply or short to ground causing damage to vibrator.**

2. The frame size of the electric vibrator will define the size of the cord grip. Each cord grip is designed for a specific cord diameter range.

**IMPORTANT**

**The compression nut must be tightened to a position that will provide proper strain relief for the cord. If the compression nut is not tight enough, the electrical connections may be stressed. If the compression nut is too tight, the cord may be damaged.**

**IMPORTANT**

**When wiring vibrator, leave slack in electrical cable so that cable does not become taut during vibration cycle and cause stress on wire connections. On applications where moisture is present, leave enough slack in power cable to prevent moisture from running down cable into vibrator.**

3. Wire vibrator according to appropriate wiring diagram inside terminal box.

## *Installing overload, short-circuit, and ground-fault protection*

### **⚠ WARNING**

**Vibrator must be grounded using the power supply ground wire (or other if specified in the NEC). Failure to properly ground vibrator can cause severe injury or death.**

4. Connect power supply ground wire (or other if specified in the NEC) to ground vibrator terminal.
5. Reassemble wiring cover, o-ring, and rubber compression block(s), taking care not to pinch the o-ring. Tighten cord grip around supply line(s).

### **⚠ CAUTION**

**Install overload protection for vibrator. If vibrator is not protected from overload, vibrator can be destroyed and warranty will be void. Determine size of overload protection according to NEC Article 430 and have it installed by a qualified electrician only.**

1. Determine overload, short-circuit, and ground-fault protection according to NEC Article 430.
2. Have qualified electrician install overload, short-circuit, and ground-fault protection.
3. If overload trips during operation, fix problem before resetting.

### **⚠ CAUTION**

**For vibratory equipment using two vibrators (such as feeders, screens and bin dischargers), the two motors must be electrically interlocked. If using a single contactor, each motor must be provided with separate overload protection. The motor control circuit must be arranged so that if one motor becomes de-energized, the other motor will automatically and immediately become de-energized. Failure to properly interlock motors could result in severe damage to equipment if one vibrator fails.**

4. If using two vibrators, interlock the two vibrator motors and install separate overload protection for each.

# After Installing Vibrator

## Checking shaft rotation

**CAUTION**

DO NOT run vibrator with eccentric weights removed. Running vibrator with eccentric weights removed will damage bearings.

**WARNING**

When checking shaft rotation with weight cover removed, keep hands away from swinging weights. Weights can crush fingers.

1. Remove cap screws, washers, and vibrator weight covers.
2. Start vibrator for one second, then stop.
3. Observe direction of motor rotation. If motor is not rotating in correct direction, lock out/tag out energy source and reverse rotation. To reverse rotation of three-phase vibrator, reverse any two of the three power supply wires.
4. Replace weight cover, taking care not to pinch o-ring.

**NOTE**

All Cougar® Electric Vibrators have one set of eccentric weights on each end of shaft. Eccentric weights are set at 60% at factory.

The percentage increments on the weight or on the weight adjustment disks are percentages of the total force pounds listed on the nameplate. For example, if the nameplate shows 8340 lb, setting the weights to 60% would produce 5004 pounds of force.

**IMPORTANT**

For the most efficient operation, vibrator eccentric weights should be adjusted to the lowest force setting required to move the material. This will increase vibrator life and reduce energy costs.



**WARNING**

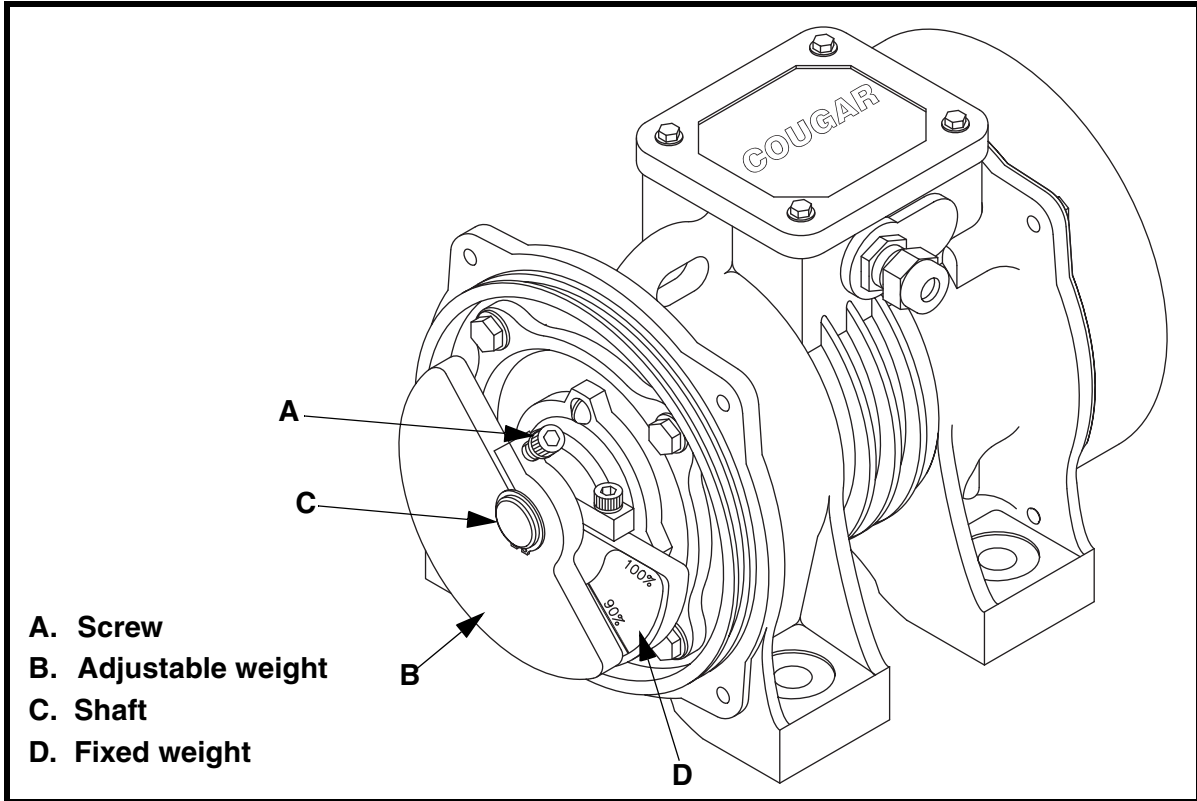
Before adjusting eccentric weights, turn off and lock out/tag out energy source to vibrator.

**NOTE**

The fixed weight is keyed to the shaft. The adjustable weight rotates around the shaft.

## Adjusting eccentric weights

1. Turn off and lock out/tag out energy source to vibrator according to ANSI standards (see “References”).
2. Remove weight cover.
3. Loosen screw (A, Figure 4) so adjustable weight (B) will rotate around shaft (C).



**Figure 4. Adjusting Eccentric Weights**

4. Rotate adjustable eccentric weight to proper setting. To produce more force, move weight to higher setting (i.e., higher number). When set, tighten screw.
5. Check o-rings for damage. Replace if damaged.

**CAUTION**

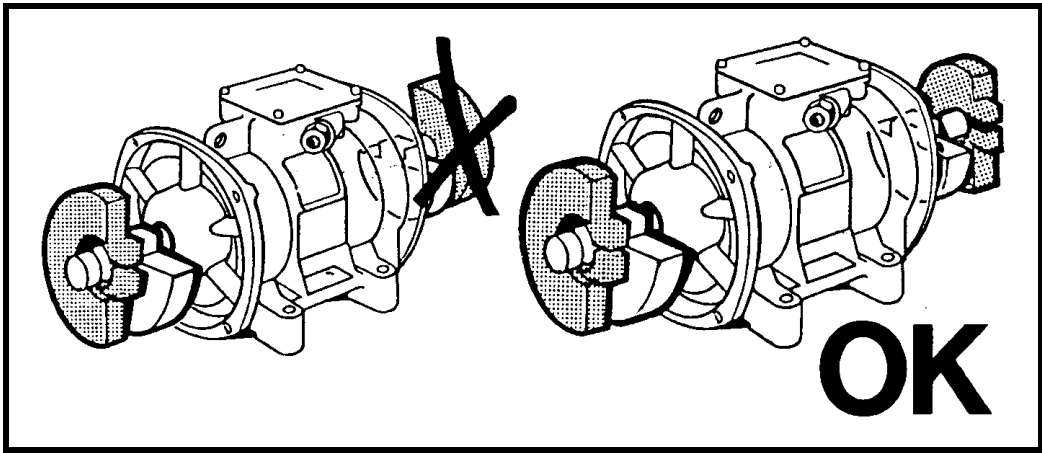
**Do not operate vibrator with weight covers removed. Dust accumulating around vibrator shaft could cause unit to fail.**

6. Replace weight covers.

**⚠ CAUTION**

Adjust both sets of eccentric weights to same setting number (mirror images) or force output will be uneven.

7. Repeat steps 1 through 6 for second set of weights. Set both sets of weights to same setting number so they are mirror images, as shown in Figure 5.



**Figure 5. Setting Sets of Eccentric Weights to Mirror Images**

***Initial start up/  
checking line  
current***

1. Close power supply disconnect switch and allow motor(s) to operate for 10 to 20 minutes.
2. If vibrator makes unusual or excessive noise, make sure mounting bolts are tight and mount welds are not damaged.

**⚠ WARNING**

**Vibrator may produce loud noise during operation when mounted on structure. See OSHA 1910.95 for guidelines. If required, wear ear protection to avoid impairment or loss of hearing.**

3. Check decibel level of vibrator noise during operation. See OSHA 1910.95 to determine whether noise exceeds safe limits. If required, wear ear protection to avoid impairment or loss of hearing.

**⚠ CAUTION**

**Do not allow motor current to exceed nameplate rating. If vibrator is operated continuously with line current above nameplate rating, vibrator can be damaged.**

4. After a few hours of operation, check each line current. If reading is higher than nameplate rating, reduce eccentric weight setting, stiffen vibrator mount, or move vibrator to more rigid location. After making adjustments, check line current again to ensure line current does not exceed nameplate rating.
5. After first 8 hours of use and periodically thereafter, check mounting bolts and tighten if necessary.

**⚠ CAUTION**

*Variable  
frequency inverter*

**All motors can be supplied with a variable frequency inverter. NEVER operate the motor at a frequency higher than that specified on the nameplate. Damage to vibrator can result.**

Do not operate vibrator motor at frequency higher than specified on nameplate. Throughout frequency range, verify that each line current does not exceed current rating on nameplate. If reading is higher than nameplate, consult inverter manual. If necessary, adjust inverter, reduce eccentric weight setting, stiffen vibrator mount location, or move vibrator to more rigid location. After making adjustment, check line current again to ensure line current does not exceed nameplate rating.

# Maintenance

## IMPORTANT

Read entire section before beginning work. Allow vibrator to cool to ambient temperature before working on it.



## ⚠ WARNING

Turn off and lock out/tag out all energy sources to vibrator and conveyor/loading systems before performing maintenance.

## ⚠ CAUTION

Use only prescribed grease in vibrator. If a different grease is used, vibrator can be damaged and warranty will be void.

Use only prescribed amount of grease to lubricate vibrator. Too much grease will cause bearings to overheat and result in premature bearing failure.

### *Lubricating vibrator*

## NOTE

All vibrators are lubricated at the factory.

1. See Table II for lubrication schedule and amount of grease required for your vibrator.

**Table II. Lubrication Schedule**

Model	Grease Amount per Bearing	Interval (hours)
B3-6600-4-2	13.2 g (.47 oz)	200
B3-8800-4-2	13.2 g (.47 oz)	200
B3-4000-4-6	12.1 g (.43 oz)	650
B3-5500-4-6	12.1 g (.43 oz)	650
B3-7100-4-6	12.1 g (.43 oz)	650
B3-7700-4-4	12.1 g (.43 oz)	380

Model	Grease Amount per Bearing	Interval (hours)
B3-10000-4-4	17.9 g (.63 oz)	380
B3-12300-4-4	17.9 g (.63 oz)	380
B3-2100-4-8	Lubricated for Life	
B3-2900-4-8	Lubricated for Life	
B3-3750-4-8	Lubricated for Life	

## ⚠ CAUTION

### *Repairing motor and replacing bearings*

Do not attempt to repair vibrator motor or replace bearings yourself. If you attempt to do so during the warranty period, the warranty may be void.

If vibrator motor needs repair or if bearings need to be replaced, call Martin Engineering at **800-544-2947** for instructions.

*Inspecting  
vibrator*



**Before inspecting vibrator, turn off and lock out/tag out energy source to vibrator.**

1. At least quarterly, inspect vibrator, cable, and connections as follows:
  - a. Turn off and lock out/tag out energy source to vibrator according to ANSI standards (see “References”).
  - b. Inspect weight covers for cracks and check cap screws for tightness.
  - c. Inspect cable for damage including cuts and abrasions. Replace if damaged.
  - d. Inspect ground connection. Make sure ground connection to motor enclosure does not exceed 0.1 ohm. Ensure screw on ground terminal is tightened to proper torque.
  - e. Make sure all wiring connections are tightened properly.



# Part Numbers

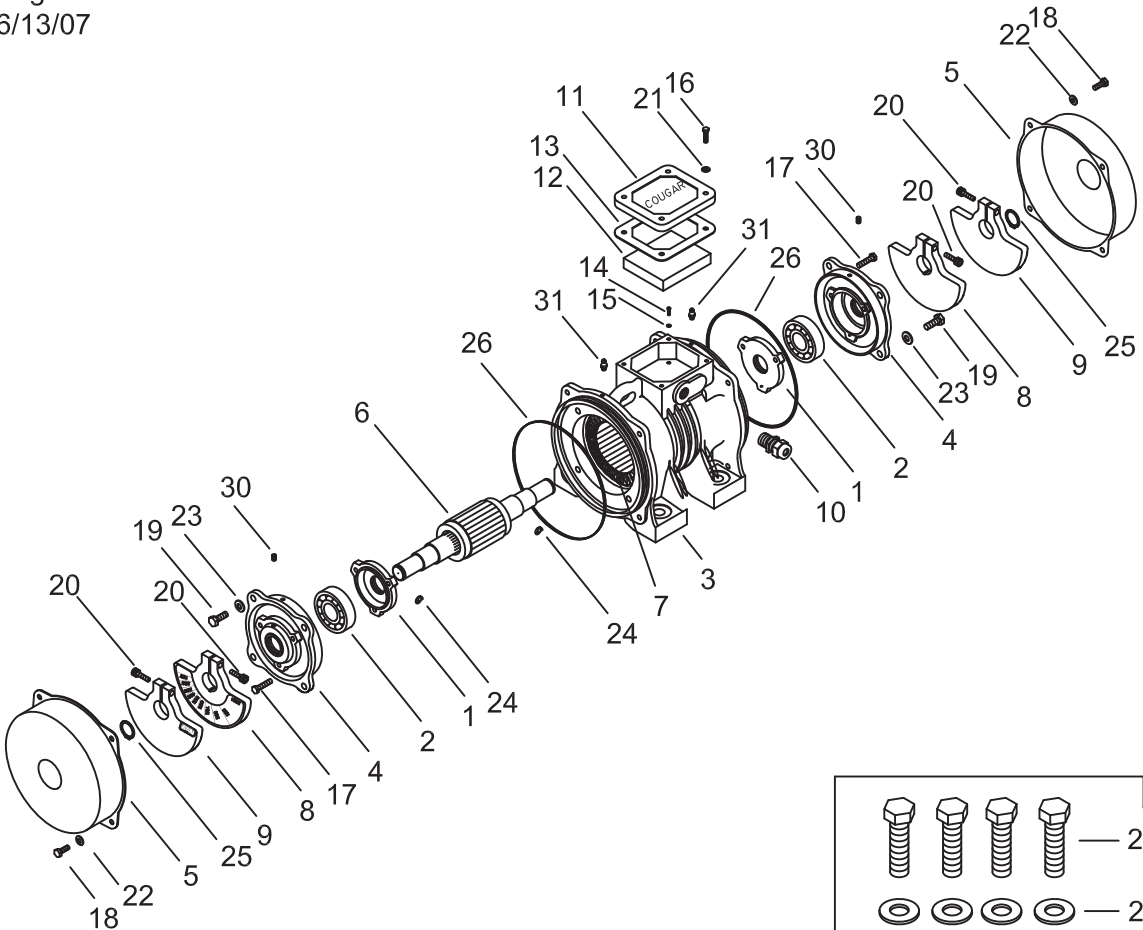
---

This section provides product names and corresponding part numbers for Cougar<sup>®</sup> Electric Vibrators and related equipment. Please reference part numbers when ordering parts:

**Table III. Cougar<sup>®</sup> Electric Vibrator Model Numbers and Part Numbers**

<b>Model Number</b>	<b>Part Number</b>
B3-6600-4-2	206080-20
B3-8800-4-2	206081-20
B3-7700-4-4	206082-20
B3-10000-4-4	206083-20
B3-12300-4-4	206084-20
B3-4000-4-6	206085-20
B3-5500-4-6	206086-20
B3-7100-4-6	206087-20
B3-2100-4-8	206088-20
B3-2900-4-8	206089-20
B3-3750-4-8	206090-20

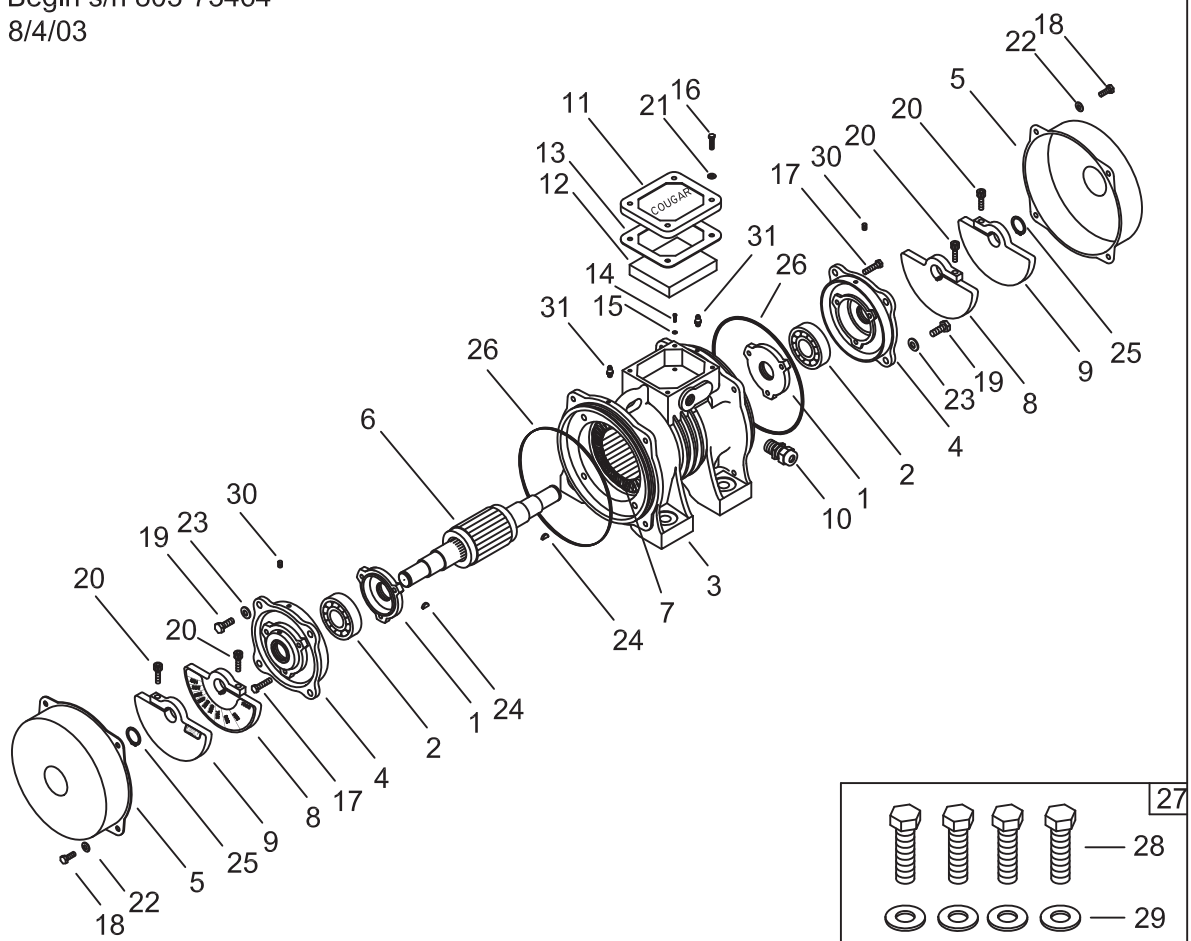
B3-6600-4-2  
 Part No. 206080-20  
 Begin s/n 607-00000  
 6/13/07



Item No.	Part Number	Description	Qty.	Item No.	Part Number	Description	Qty.
1.	100254-00	Bearing Cap	2	18.	500076-00	3/8-16 X 1/2 Bolt	8
2.	100259-00	Bearing	2	19.	500176-00	1/2-13 X 1 1/4 Bolt	8
3.	110336-21	Housing	1	20.	501247-00	5/16-18 X 1 1/4"	4
4.	120224-01	Bearing Bell	2	21.	517690-00	1/4" Washer	4
5.	130246-00	End Cap	2	22.	517696-00	3/8" Washer	8
6.	150644-20	Shaft Assembly	1	23.	517702-00	1/2" Washer	8
7.	160263-20	Stator	1	24.	520798-00	# 404 Woodruff Key	2
8.	170910-00	Stationary Weight	2	25.	530236-00	Snap Ring	2
9.	170911-00	Adjustment Weight	2	26.	603019-00	O - Ring	2
10.	194851-00	Cord Grip	1	27.	221553-00	Mounting Kit	1
11.	196511-01	Conduit Box Cover	1	28.	500396-00	1-8 X 2 1/2" Bolt	4
12.	196551-00	Foam Packing	1	29.	517754-00	1" Washer	4
13.	196661-00	Gasket	1	30.	520380-00	1/4-28 S.H.S.S.	2
14.	197060-00	Ground Screw	1	31.	532302-00	Grease Zerk	2
15.	197061-00	Washer	1		FORM-148	L.H. Adj. Decal	1
16.	500003-00	1/4-20 X 3/4 Bolt	4		FORM-149	R.H. Adj. Decal	1
17.	500049-00	5/16-18 X 2 1/4 Bolt	6		FORM-150	Weight Edge Decal	2
					201080-20	Vibrator Only	

Figure 6. Cougar® Electric Vibrator, Model B3-6600-4-2

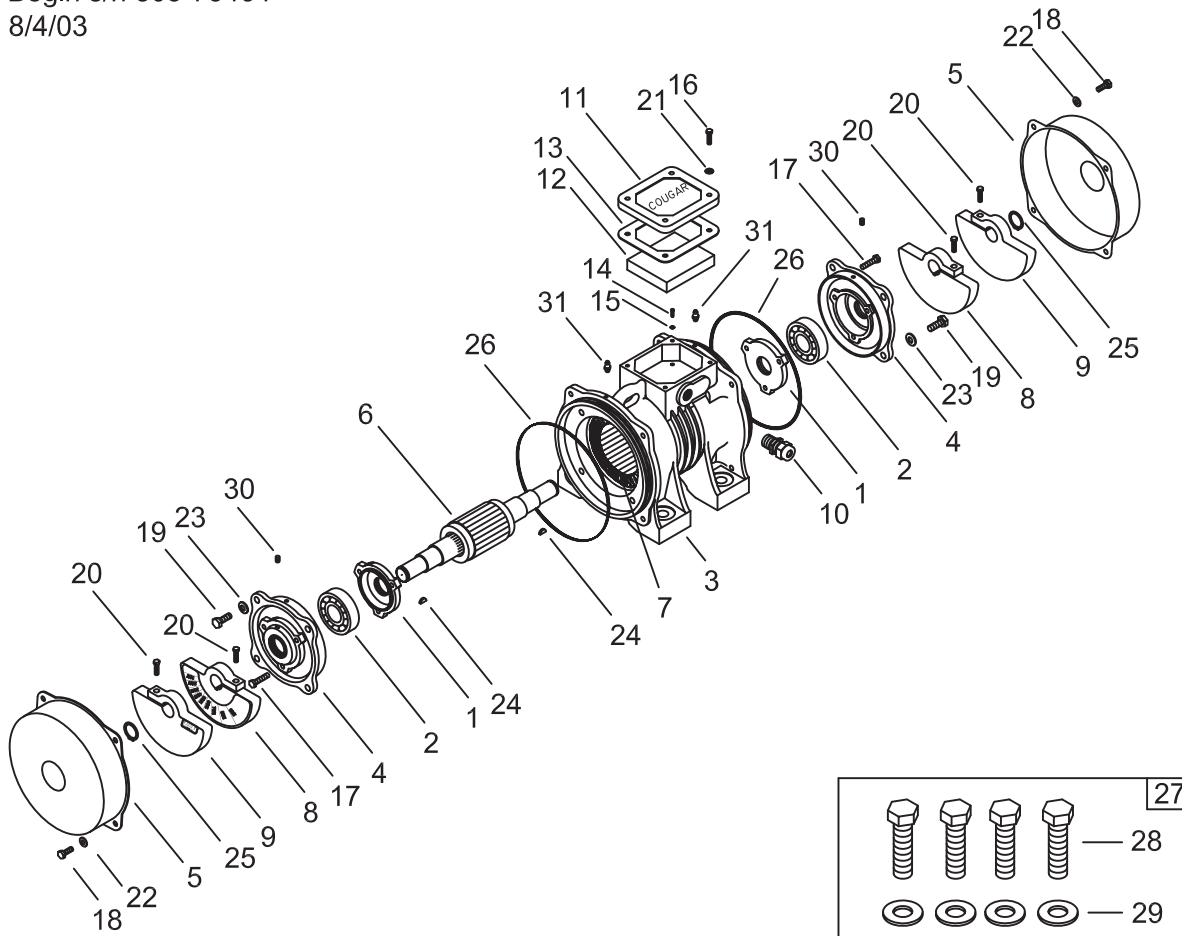
B3-8800-4-2  
 Part No. 206081-20  
 Begin s/n 803-73464  
 8/4/03



Item No.	Part Number	Description	Qty.	Item No.	Part Number	Description	Qty.
1.	100254-00	Bearing Cap	2	18.	500076-00	3/8-16 X 1/2 Bolt	8
2.	100259-00	Bearing	2	19.	500176-00	1/2-13 X 1 1/4 Bolt	8
3.	110336-21	Housing	1	20.	501247-00	5/16-18 X 1 1/4	4
4.	120224-01	Bearing Bell	2	21.	517690-00	1/4" Washer	4
5.	130246-00	End Cap	2	22.	517696-00	3/8" Washer	8
6.	150627-20	Shaft Assembly	1	23.	517702-00	1/2" Washer	8
7.	160251-20	Stator	1	24.	520798-00	# 404 Woodruff Key	2
8.	170843-00	Stationary Weight	2	25.	530237-00	Snap Ring	2
9.	170844-00	Adjustment Weight	2	26.	603019-00	O - Ring	2
10.	194851-00	Cord Grip	1	27.	221553-00	Mounting Kit	1
11.	196511-01	Conduit Box Cover	1	28.	500396-00	1-8 X 2 1/2" Bolt	4
12.	196551-00	Foam Packing	1	29.	517754-00	1" Washer	4
13.	196661-00	Gasket	1	30.	520380-00	1/4-28 S.H.S.S.	2
14.	197060-00	Ground Screw	1	31.	532302-00	Grease Zerk	2
15.	197061-00	Washer	1		FORM-148	L.H. Adj. Decal	1
16.	500003-00	1/4-20 X 3/4 Bolt	4		FORM-149	R.H. Adj. Decal	1
17.	500049-00	5/16-18 X 2 1/4 Bolt	6		FORM-150	Weight Edge Decal	2
					201081-20	Vibrator Only	

**Figure 7. Cougar® Electric Vibrator, Model B3-8800-4-2**

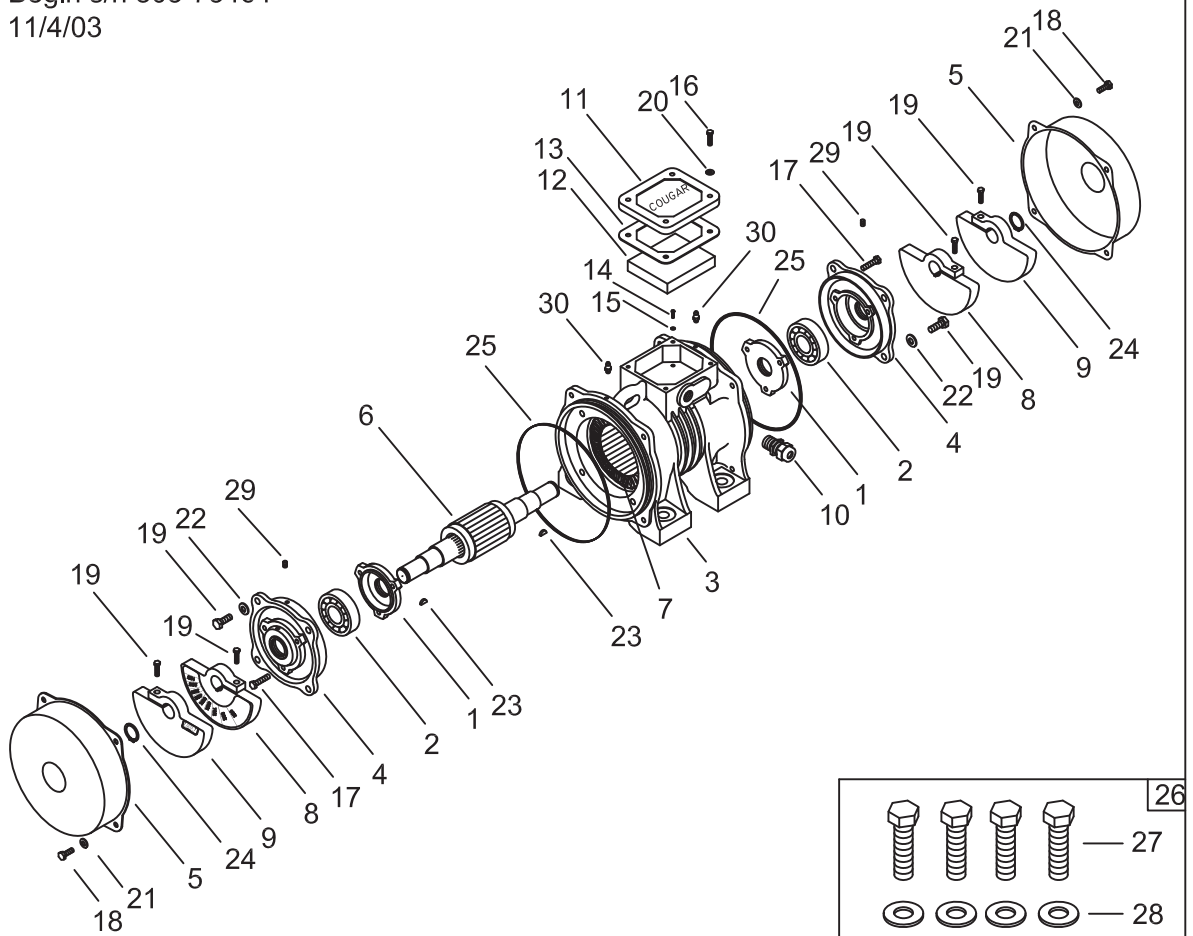
B3-7700-4-4  
 Part No. 206082-20  
 Begin s/n 803-73464  
 8/4/03



Item No.	Part Number	Description	Qty.	Item No.	Part Number	Description	Qty.
1.	100252-00	Bearing Cap	2	18.	500076-00	3/8-16 X 1/2 Bolt	8
2.	100257-00	Bearing	2	19.	500176-00	1/2-13 X 1 1/4 Bolt	8
3.	110336-21	Housing	1	20.	500082-00	3/8-16 X 1 1/4	4
4.	120222-01	Bearing Bell	2	21.	517690-00	1/4" Washer	4
5.	130246-00	End Cap	2	22.	517696-00	3/8" Washer	8
6.	150628-20	Shaft Assembly	1	23.	517702-00	1/2" Washer	8
7.	160252-20	Stator	1	24.	520798-00	# 404 Woodruff Key	2
8.	170846-00	Stationary Weight	2	25.	530238-00	Snap Ring	2
9.	170847-00	Adjustment Weight	2	26.	603019-00	O - Ring	2
10.	194851-00	Cord Grip	1	27.	221553-00	Mounting Kit	1
11.	196511-01	Conduit Box Cover	1	28.	500396-00	1-8 X 2 1/2" Bolt	4
12.	196551-00	Foam Packing	1	29.	517754-00	1" Washer	4
13.	196661-00	Gasket	1	30.	520380-00	1/4-28 S.H.S.S.	2
14.	197060-00	Ground Screw	1	31.	532302-00	Grease Zerk	2
15.	197061-00	Washer	1		FORM-148	L.H. Adj. Decal	1
16.	500003-00	1/4-20 X 3/4 Bolt	4		FORM-149	R.H. Adj. Decal	1
17.	500046-00	5/16-18 X 1 3/4 Bolt	6		FORM-150	Weight Edge Decal	2
					201082-20	Vibrator Only	

**Figure 8. Cougar® Electric Vibrator, Model B3-7700-4-4**

B3-10000-4-4  
 Part No. 206083-20  
 Begin s/n 803-73464  
 11/4/03



Item No.	Part Number	Description	Qty.	Item No.	Part Number	Description	Qty.
1.	100252-00	Bearing Cap	2	18.	500076-00	3/8-16 X 1/2 Bolt	8
2.	100261-00	Bearing	2	19.	500176-00	1/2-13 X 1 1/4 Bolt	12
3.	110336-21	Housing	1	20.	517690-00	1/4" Washer	4
4.	120220-01	Bearing Bell	2	21.	517696-00	3/8" Washer	8
5.	130246-00	End Cap	2	22.	517702-00	1/2" Washer	8
6.	150629-20	Shaft Assembly	1	23.	520798-00	# 404 Woodruff Key	2
7.	160253-20	Stator	1	24.	530238-00	Snap Ring	2
8.	170852-00	Stationary Weight	2	25.	603019-00	O - Ring	2
9.	170853-00	Adjustment Weight	2	26.	221553-00	Mounting Kit	1
10.	194851-00	Cord Grip	1	27.	500396-00	1-8 X 2 1/2" Bolt	4
11.	196511-01	Conduit Box Cover	1	28.	517754-00	1" Washer	4
12.	196551-00	Foam Packing	1	29.	520380-00	1/4-28 S.H.S.S.	2
13.	196661-00	Gasket	1	30.	532302-00	Grease Zerk	2
14.	197060-00	Ground Screw	1		FORM-148	L.H. Adj. Decal	1
15.	197061-00	Washer	1		FORM-149	R.H. Adj. Decal	1
16.	500003-00	1/4-20 X 3/4 Bolt	4		FORM-150	Weight Edge Decal	2
17.	500049-00	5/16-18 X 2 1/4 bolt	6		201083-20	Vibrator Only	

**Figure 9. Cougar® Electric Vibrator, Model B3-10000-4-4**

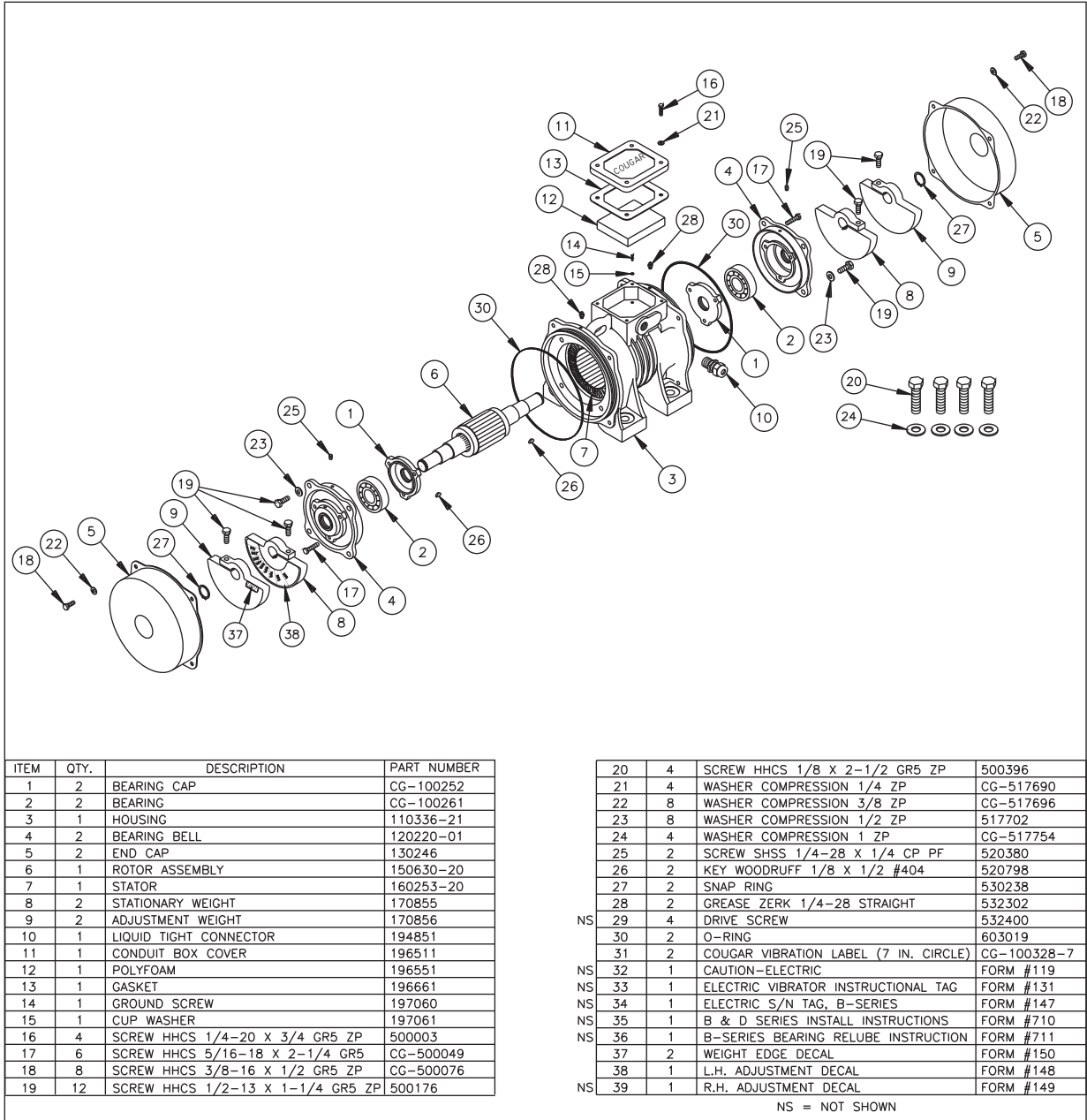
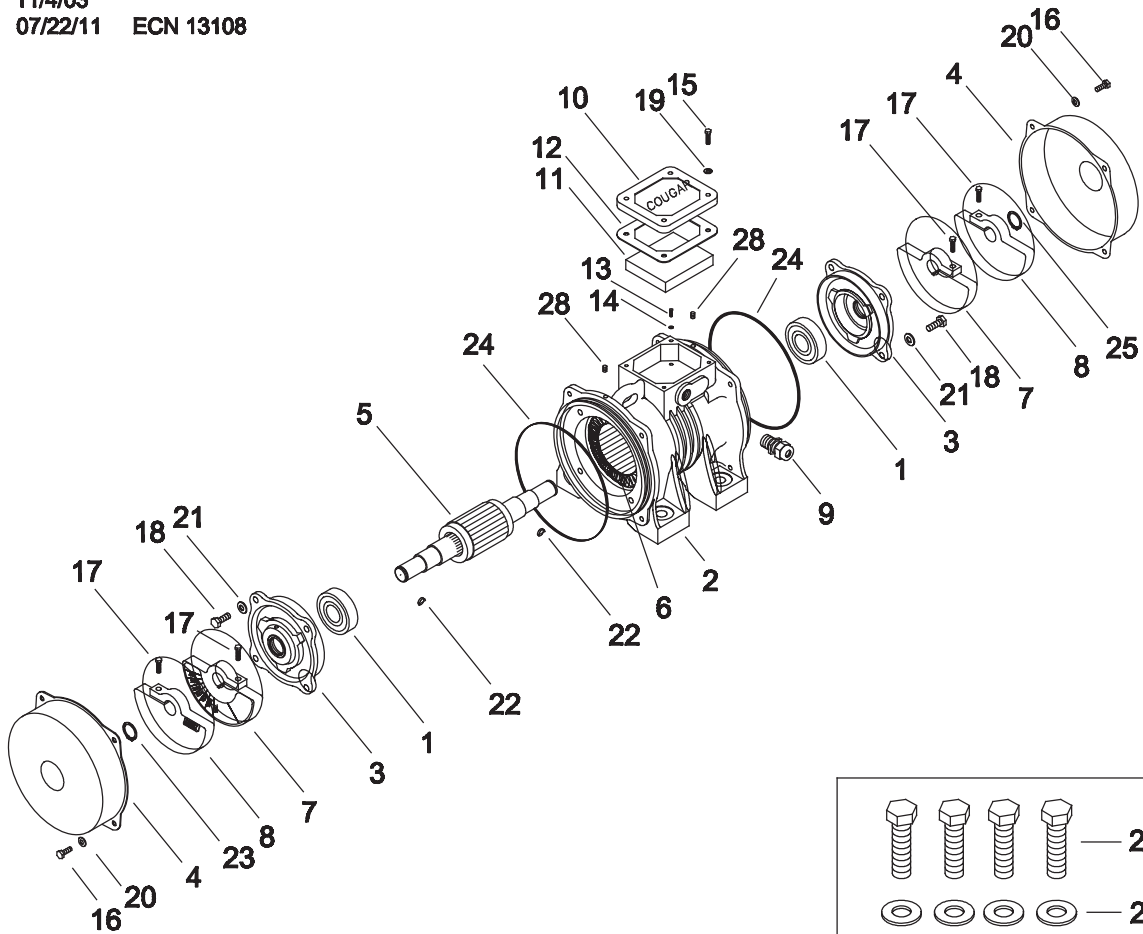


Figure 10. Cougar® Electric Vibrator, Model B3-12300-4-4

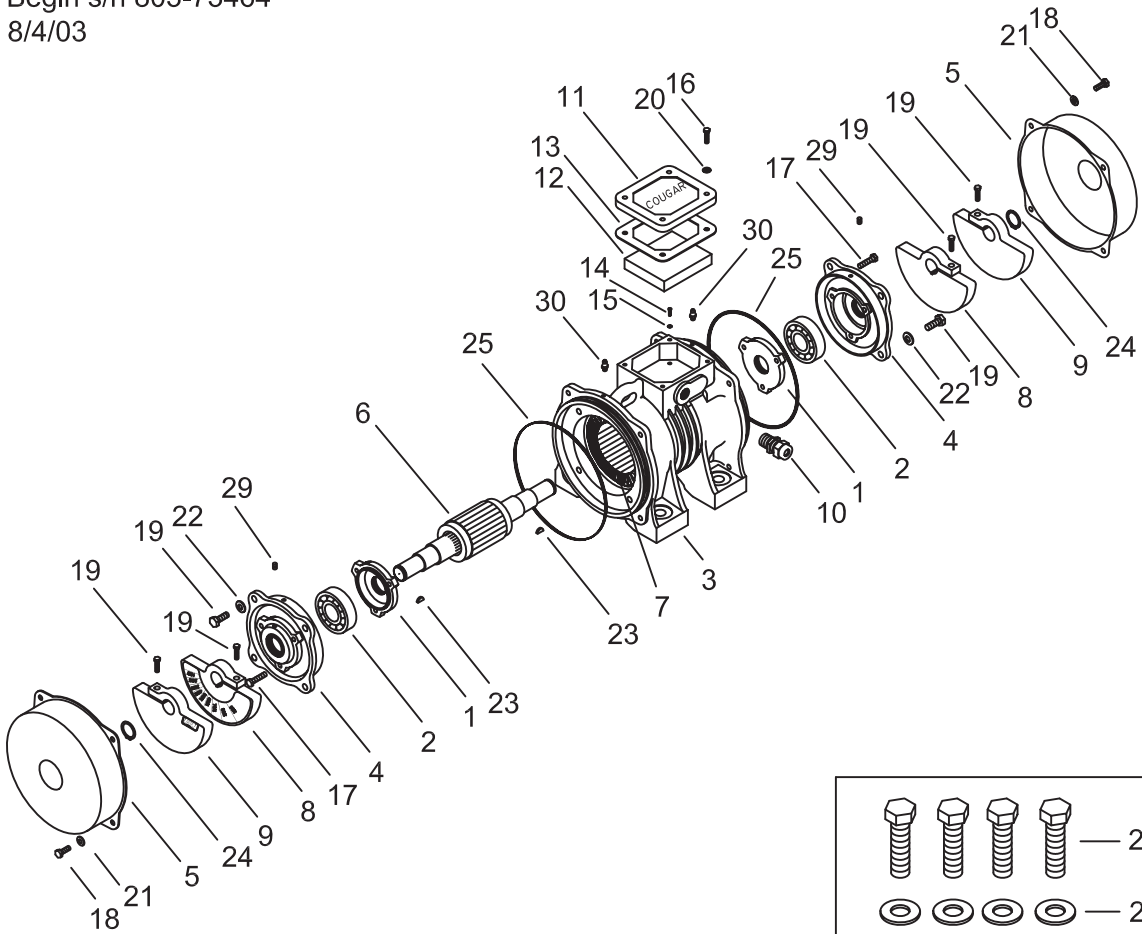
B3-4000-4-6  
 Part No. 206085-20  
 Begin s/n 1103-74867  
 11/4/03  
 07/22/11 ECN 13108



Item No.	Part Number	Description	Qty.	Item No.	Part Number	Description	Qty.
1.	100255-00	Bearing	2	18.	500176-00	1/2-13 X 1 1/4	8
2.	110336-21	Housing	1	19.	517690-00	1/4" Washer	4
△ 3.	120222-01	Bearing Bell	2	20.	517696-00	3/8" Washer	8
4.	130246-00	End Cap	2	21.	517702-00	1/2" Washer	8
5.	150631-20	Shaft Assembly	1	22.	520798-00	# 404 Woodruff Key	2
6.	160254-20	Stator	1	23.	530238-00	Snap Ring	2
7.	170849-00	Stationary Weight	2	24.	603019-00	O - Ring	2
8.	170850-00	Adjustment Weight	2	25.	221553-00	Mounting Kit	1
9.	194851-00	Cord Grip	1	26.	500396-00	1-8 X 2 1/2" Bolt	4
10.	196511-00	Conduit Box Cover	1	27.	517754-00	1" Washer	4
11.	196551-00	Foam Packing	1	28.	520380-00	1/4-28 S.H.S.S.	2
12.	196661-00	Gasket	1		FORM-148	L.H. Adj. Decal	1
13.	197060-00	Ground Screw	1		FORM-149	R.H. Adj. Decal	1
14.	197061-00	Washer	1		FORM-150	Weight Edge Decal	2
15.	500003-00	1/4-20 X 3/4 Bolt	4		201085-20	Vibrator Only	
16.	500076-00	3/8-16 X 1/2 Bolt	8				
17.	500082-00	3/8-16 X 1 1/4 Bolt	4				

Figure 11. Cougar® Electric Vibrator, Model B3-4000-4-6

B3-5500-4-6  
 Part No. 206086-20  
 Begin s/n 803-73464  
 8/4/03

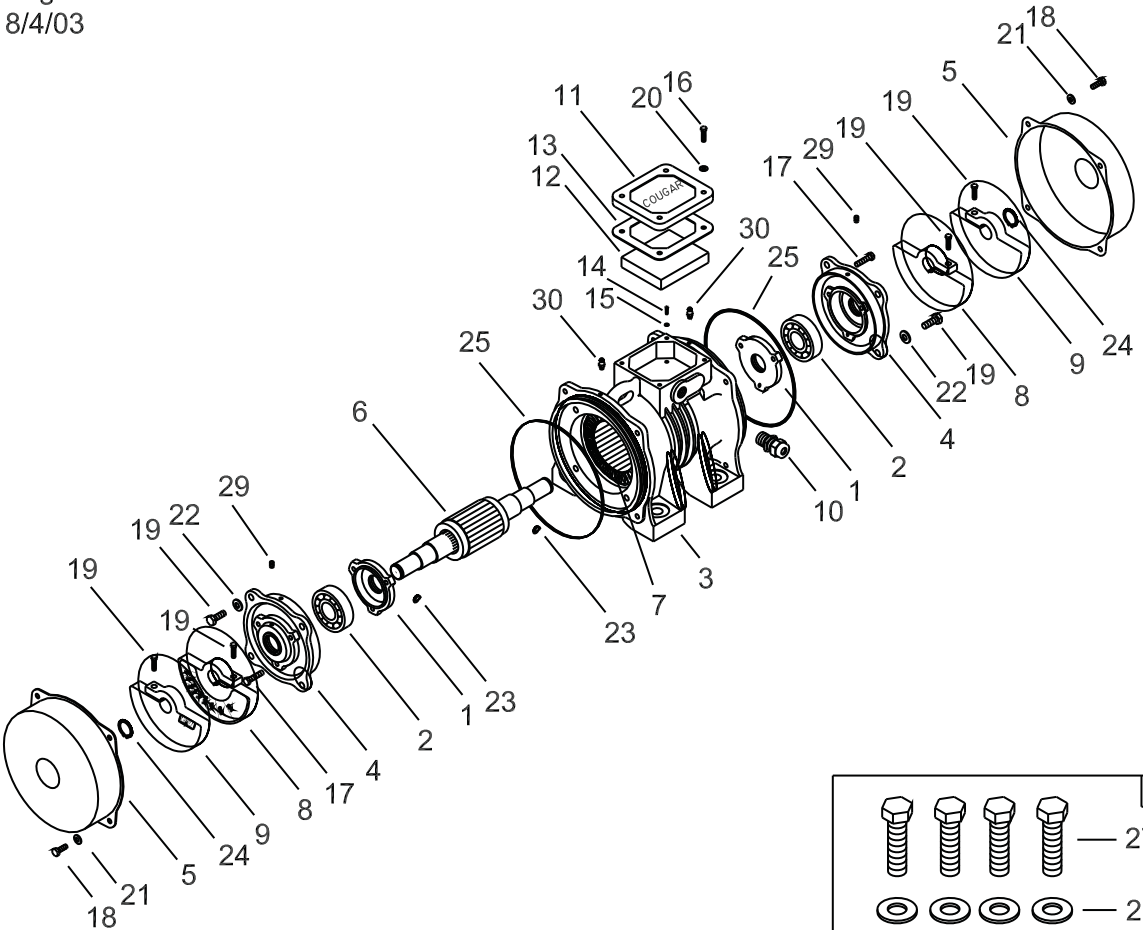


Item No.	Part Number	Description	Qty.	Item No.	Part Number	Description	Qty.
1.	100252-00	Bearing Cap	2	18.	500076-00	3/8-16 X 1/2 Bolt	8
2.	100257-00	Bearing	2	19.	500176-00	1/2-13 X 1 1/4 Bolt	12
3.	110336-21	Housing	1	20.	517690-00	1/4" Washer	4
4.	120222-01	Bearing Bell	2	21.	517696-00	3/8" Washer	8
5.	130246-00	End Cap	2	22.	517702-00	1/2" Washer	8
6.	150632-20	Shaft Assembly	1	23.	520798-00	# 404 Woodruff Key	2
7.	160254-20	Stator	1	24.	530238-00	Snap Ring	2
8.	170855-00	Stationary Weight	2	25.	603019-00	O - Ring	2
9.	170856-00	Adjustment Weight	2	26.	221553-00	Mounting Kit	1
10.	194851-00	Cord Grip	1	27.	500396-00	1-8 X 2 1/2" Bolt	4
11.	196511-01	Conduit Box Cover	1	28.	517754-00	1" Washer	4
12.	196551-00	Foam Packing	1	29.	520380-00	1/4-28 S.H.S.S.	2
13.	196661-00	Gasket	1	30.	532302-00	Grease Zerk	2
14.	197060-00	Ground Screw	1		FORM-148	L.H. Adj. Decal	1
15.	197061-00	Washer	1		FORM-149	R.H. Adj. Decal	1
16.	500003-00	1/4-20 X 3/4 Bolt	4		FORM-150	Weight Edge Decal	2
17.	500046-00	5/16-18 X 1 3/4 Bolt	6		201086-20	Vibrator Only	

**Figure 12. Cougar® Electric Vibrator, Model B3-5500-4-6**



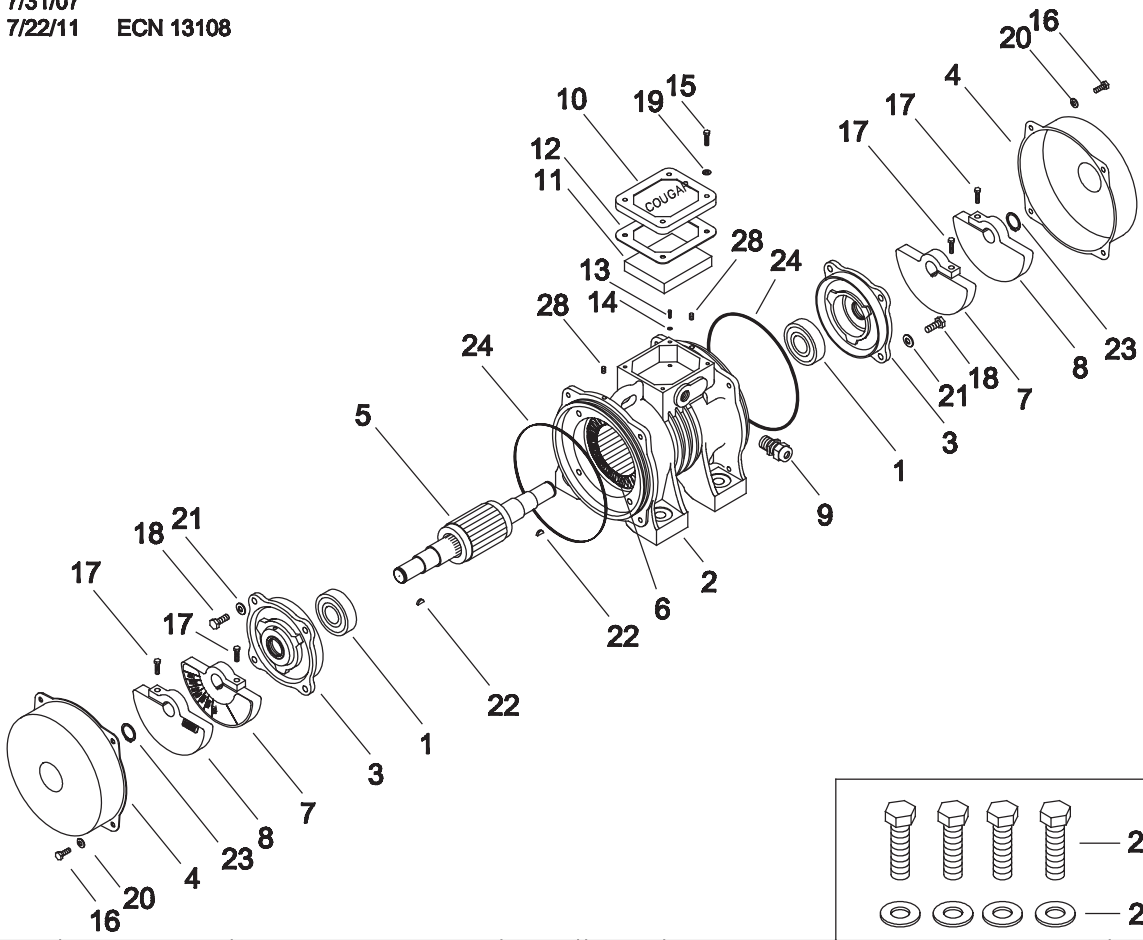
B3-7100-4-6  
 Part No. 206087-20  
 Begin s/n 803-73464  
 8/4/03



Item No.	Part Number	Description	Qty.	Item No.	Part Number	Description	Qty.
1.	100252-00	Bearing Cap	2	18.	500076-00	3/8-16 X 1/2 Bolt	8
2.	100257-00	Bearing	2	19.	500176-00	1/2-13 X 1 1/4 Bolt	12
3.	110336-21	Housing	1	20.	517690-00	1/4" Washer	4
4.	120222-01	Bearing Bell	2	21.	517696-00	3/8" Washer	8
5.	130248-00	End Cap	2	22.	517702-00	1/2" Washer	8
6.	150633-20	Shaft Assembly	1	23.	520798-00	# 404 Woodruff Key	2
7.	160254-20	Stator	1	24.	530238-00	Snap Ring	2
8.	170858-00	Stationary Weight	2	25.	603019-00	O - Ring	2
9.	170859-00	Adjustment Weight	2	26.	221553-00	Mounting Kit	1
10.	194851-00	Cord Grip	1	27.	500396-00	1-8 X 2 1/2" Bolt	4
11.	196511-01	Conduit Box Cover	1	28.	517754-00	1" Washer	4
12.	196551-00	Foam Packing	1	29.	520380-00	1/4-28 S.H.S.S.	2
13.	196661-00	Gasket	1	30.	532302-00	Grease Zerk	2
14.	197060-00	Ground Screw	1		FORM-148	L.H. Adj. Decal	1
15.	197061-00	Washer	1		FORM-149	R.H. Adj. Decal	1
16.	500003-00	1/4-20 X 3/4 Bolt	4		FORM-150	Weight Edge Decal	2
17.	500046-00	5/16-18 X 1 3/4 Bolt	6		201087-20	Vibrator Only	

Figure 13. Cougar® Electric Vibrator, Model B3-7100-4-6

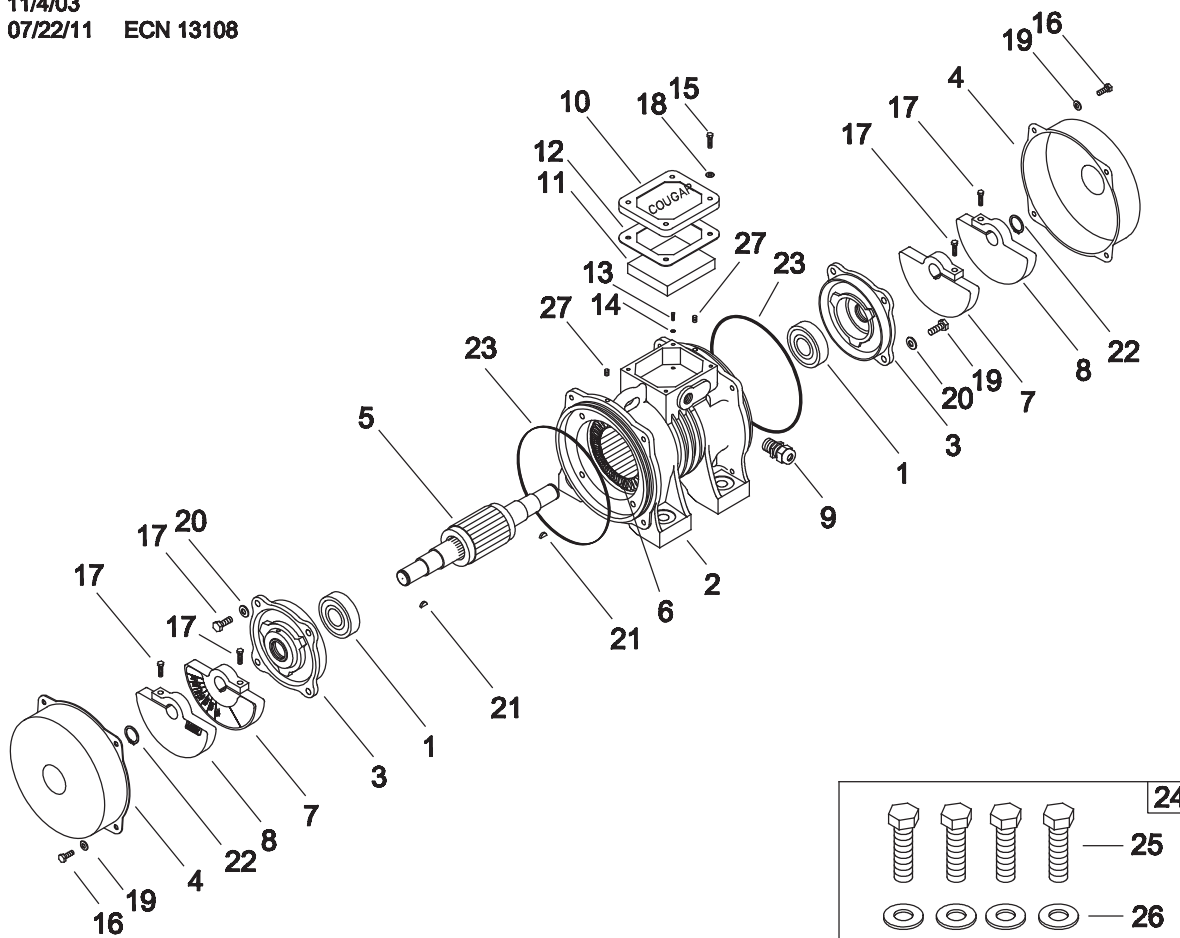
B3-2100-4-8  
 Part No. 206088-20  
 Begin s/n 1103-74867  
 7/31/07  
 7/22/11 ECN 13108



Item No.	Part Number	Description	Qty.	Item No.	Part Number	Description	Qty.
1.	100255-00	Bearing	2	18.	500176-00	1/2-13 X 1 1/4 Bolt	8
2.	110336-21	Housing	1	19.	517690-00	1/4" Washer	8
△3.	120222-01	Bearing Bell	2	20.	517696-00	3/8" Washer	8
4.	130246-00	End Cap	2	21.	517702-00	1/2" Washer	8
5.	150634-20	Shaft Assembly	1	22.	520798-00	# 404 Woodruff Key	2
6.	160255-20	Stator	1	23.	530238-00	Snap Ring	2
7.	170849-00	Stationary Weight	2	24.	603019-00	O - Ring	2
8.	170850-00	Adjustment Weight	2	25.	221553-00	Mounting Kit	1
9.	194851-00	Cord Grip	1	26.	500396-00	1-8 X 2 1/2" Bolt	4
10.	196511-01	Conduit Box Cover	1	27.	517754-00	1" Washer	4
11.	196551-00	Foam Packing	1	28.	520380-00	1/4-28 S.H.S.S.	2
12.	196661-00	Gasket	1		FORM-148	L.H. Adj. Decal	1
13.	197060-00	Ground Screw	1		FORM-149	R.H. Adj. Decal	1
14.	197061-00	Washer	1		FORM-150	Weight Edge Decal	2
15.	500003-00	1/4-20 X 3/4 Bolt	4		201088-20	Vibrator Only	
16.	500076-00	3/8-16 X 1/2 Bolt	8				
17.	500082-00	3/8-16 X 1 1/4 Bolt	4				

Figure 14. Cougar® Electric Vibrator, Model B3-2100-4-8

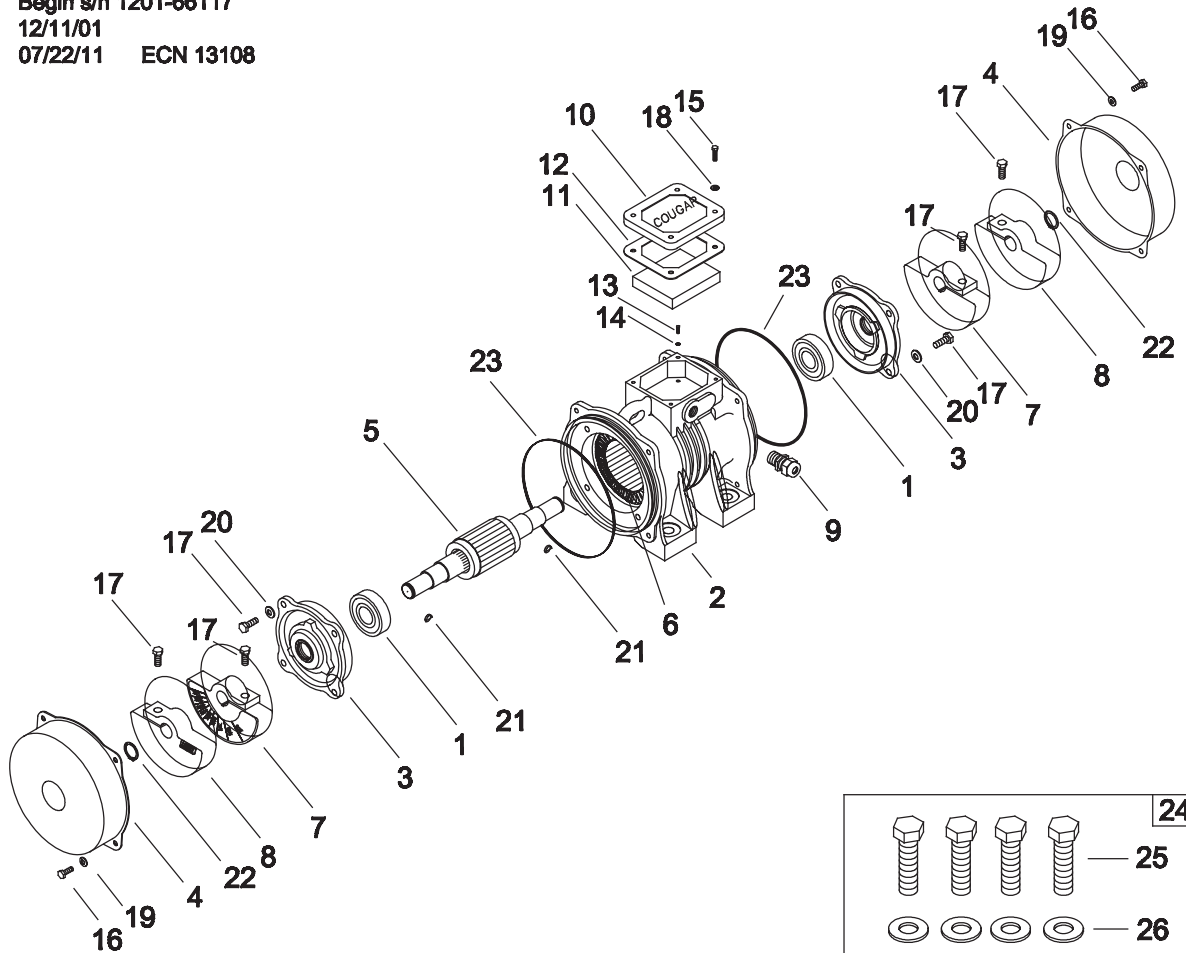
B3-2900-4-8  
 Part No. 206089-20  
 Begin s/n 1103-74867  
 11/4/03  
 07/22/11 ECN 13108



Item No.	Part Number	Description	Qty.	Item No.	Part Number	Description	Qty.
1.	100255-00	Bearing	2	18.	517690-00	1/4" Washer	8
2.	110336-21	Housing	1	19.	517696-00	3/8" Washer	8
△3.	120222-01	Bearing Bell	2	20.	517702-00	1/2" Washer	8
4.	130246-00	End Cap	2	21.	520798-00	# 404 Woodruff Key	2
5.	150635-20	Shaft Assembly	1	22.	530238-00	Snap Ring	2
6.	160624-20	Stator	1	23.	603019-00	O - Ring	2
7.	170855-00	Stationary Weight	2	24.	221553-00	Mounting Kit	1
8.	170856-00	Adjustment Weight	2	25.	500396-00	1-8 X 2 1/2" Bolt	4
9.	194851-00	Cord Grip	1	26.	517754-00	1" Washer	4
10.	196511-01	Conduit Box Cover	1	27.	520380-00	1/4-28 S.H.S.S.	2
11.	196551-00	Foam Packing	1		FORM-148	L.H. Adj. Decal	1
12.	196661-00	Gasket	1		FORM-149	R.H. Adj. Decal	1
13.	197060-00	Ground Screw	1		FORM-150	Weight Edge Decal	2
14.	197061-00	Washer	1		201089-20	Vibrator Only	
15.	500003-00	1/4-20 X 3/4 Bolt	4				
16.	500076-00	3/8-16 X 1/2 Bolt	8				
17.	500176-00	1/2-13 X 1 1/4 Bolt	12				

Figure 15. Cougar® Electric Vibrator, Model B3-2900-4-8

B3-3750-4-8  
 Part No. 206090-20  
 Begin s/n 1201-66117  
 12/11/01  
 07/22/11 ECN 13108



Item No.	Part Number	Description	Qty.	Item No.	Part Number	Description	Qty.
1.	100255-00	Bearing	2	18.	517690-00	1/4" Washer	4
2.	110336-20	Housing	1	19.	517696-00	3/8" Washer	8
△3.	120222-01	Bearing Bell	2	20.	517702-00	1/2" Washer	8
4.	130248-00	End Cap	2	21.	520798-00	# 404 Woodruff Key	2
5.	150636-20	Shaft Assembly	1	22.	530238-00	Snap Ring	2
6.	160256-20	Stator	1	23.	603019-00	O - Ring	2
7.	170858-00	Stationary Weight	2	24.	221553-00	Mounting Kit	1
8.	170859-00	Adjustment Weight	2	25.	500396-00	1-8 X 2 1/2" Bolt	4
9.	194851-00	Cord Grip	1	26.	517754-00	1" Washer	4
10.	196511-01	Conduit Box Cover	1		FORM-148	L.H. Adj. Decal	1
11.	196551-00	Foam Packing	1		FORM-149	R.H. Adj. Decal	1
12.	196661-00	Gasket	1		FORM-150	Weight Edge Decal	2
13.	197060-00	Ground Screw	1		201090-20	Vibrator Only	
14.	197061-00	Washer	1				
15.	500003-00	1/4-20 X 3/4 Bolt	4				
16.	500076-00	3/8-16 X 1/2 Bolt	8				
17.	500176-00	1/2-13 X 1 1/4 Bolt	12				

Figure 16. Cougar® Electric Vibrator, Model B3-3750-4-8

*Any product, process, or technology described here may be the subject of intellectual property rights reserved by Martin Engineering Company. Trademarks or service marks designated with the ® symbol are registered with the U.S. Patent and Trademark Office and may be proprietary in one or more countries or regions. Other trademarks and service marks belonging to Martin Engineering Company in the United States and/or other countries or regions may be designated with the “TM” and “SM” symbols. Brands, trademarks, and names of other parties, who may or may not be affiliated with, connected to, or endorsed by Martin Engineering Company, are identified wherever possible. Additional information regarding Martin Engineering Company’s intellectual property can be obtained at [www.martin-eng.com/trademarks](http://www.martin-eng.com/trademarks).*

# **Problem Solved™** ***GUARANTEED!***



**Martin Engineering USA**

One Martin Place  
Neponset, IL 61345-9766 USA  
800 544 2947 or 309 852 2384  
Fax 800 814 1553  
[www.martin-eng.com](http://www.martin-eng.com)

**COMPANY WITH  
QUALITY SYSTEM  
CERTIFIED BY DNV  
= ISO 9001:2008 =**