



# **Martin<sup>®</sup> Sonic Horns**

[Go to Martin<sup>®</sup> Sonic Horns web page](#)



**Operator's Manual  
M3829**

# Important

MARTIN ENGINEERING HEREBY DISCLAIMS ANY LIABILITY FOR: DAMAGE DUE TO CONTAMINATION OF THE MATERIAL; USER'S FAILURE TO INSPECT, MAINTAIN AND TAKE REASONABLE CARE OF THE EQUIPMENT; INJURIES OR DAMAGE RESULTING FROM USE OR APPLICATION OF THIS PRODUCT CONTRARY TO INSTRUCTIONS AND SPECIFICATIONS CONTAINED HEREIN. MARTIN ENGINEERING'S LIABILITY SHALL BE LIMITED TO REPAIR OR REPLACEMENT OF EQUIPMENT SHOWN TO BE DEFECTIVE.

Observe all safety rules given herein along with owner and Government standards and regulations. Know and understand lockout/tagout procedures as defined by American National Standards Institute (ANSI) z244.1-1982, *American National Standard for Personnel Protection - Lockout/Tagout of Energy Sources - Minimum Safety Requirements* and Occupational Safety and Health Administration (OSHA) Federal Register, Part IV, 29 CFR Part 1910, *Control of Hazardous Energy Source (Lockout/Tagout); Final Rule*.

The following symbols may be used in this manual:



**Danger:** Immediate hazards that will result in severe personal injury or death.



**Warning:** Hazards or unsafe practices that could result in personal injury.



**Caution:** Hazards or unsafe practices that could result in product or property damages.



**Important:** Instructions that must be followed to ensure proper installation/operation of equipment.



**Note:** General statements to assist the reader.

# Table of Contents

---

<b>Section</b>	<b>Page</b>
List of Figures .....	ii
Introduction .....	1
General .....	1
Required accessories .....	1
References .....	1
Safety .....	1
Materials required .....	1
Before Installing Sonic Horn .....	2
Installing Sonic Horn .....	3
Installing sonic horn .....	3
Installing restraining cable .....	6
Connecting air supply to sonic horn .....	7
After Installing Sonic Horn .....	9
Maintenance .....	10
Every month .....	10
Troubleshooting .....	11
Part Numbers .....	12
Appendix A .....	A-1

## List of Figures

---

<b>Figure</b>	<b>Title</b>	<b>Page</b>
1	Flush Mount Installation . . . . .	4
2	Mid-Mount Installation . . . . .	5
3	Installing Restraining Cable . . . . .	6
4	Plumbing Detail for Normally-Closed Solenoid Valve . . . . .	8
5	Martin <sup>®</sup> 75Hz Sonic Horn Assembly, P/N SH075-XXXXXXX . . . . .	14
6	Martin <sup>®</sup> 230Hz Sonic Horn Assembly, P/N SH230-XXXXXX . . . . .	16
7	Martin <sup>®</sup> 75Hz Mega Horn Assembly, P/N SH075M-XXXXXXX . . . . .	17

## List of Tables

---

<b>Table</b>	<b>Title</b>	<b>Page</b>
I	Martin <sup>®</sup> 75Hz Sonic Horn Assembly, P/N SH075-XXXXXXX . . . . .	15
II	Martin <sup>®</sup> 230Hz Sonic Horn Assembly, P/N SH230-XXXXXX . . . . .	16
III	Martin <sup>®</sup> 75Hz Mega Horn Assembly, P/N SH075M-XXXXXXX . . . . .	18

# Introduction

---

## ***General***

The Martin<sup>®</sup> Sonic Horn is a pneumatic bulk material-moving system that generates intense sound waves and introduces vibration into vessels, transfer chutes, gas ducts, and feed pipes to maintain material or gas flow.

This manual provides instructions for installing sonic horns on steel structures only. For installations on other structures, call Martin Engineering or a representative.

## ***Specifications***

See Appendix A for technical data specific to individual models.

## ***Required accessories***

A sonic horn system requires additional accessories in order to be fully operational. These accessories, which consist of solenoid valves, filters, regulators, ball valves, air hoses, mounting plates, etc., can be purchased from Martin Engineering. These accessories are packaged in kits for convenience and are ordered separately from the sonic horn assembly. Contact Martin Engineering or a representative to determine which kits are required for your specific application.

## ***References***

The following documents are referenced in this manual:

- American National Standards Institute (ANSI) z244.1-1982, *American National Standard for Personnel Protection - Lockout/Tagout of Energy Sources - Minimum Safety Requirements*, American National Standards Institute, Inc., 1430 Broadway, New York, NY 10018.
- Federal Register, Volume 54, Number 169, Part IV, 29 CFR Part 1910, *Control of Hazardous Energy Source (Lockout/Tagout); Final Rule*, Department of Labor, Occupational Safety and Health Administration (OSHA), 32nd Floor, Room 3244, 230 South Dearborn Street, Chicago, IL 60604.
- *The National Electrical Code (NEC) Handbook*, National Fire Protection Association, 1 Batterymarch Park, P.O. Box 9101, Quincy MA 02269-9101.
- ICS 1-1988, *General Standards for Industrial Control and Systems*, and 250-1985, *Enclosures for Electrical Equipment (1000 Volts Maximum)*, National Electrical Manufacturers Association (NEMA), 2101 L Street N.W., Washington, D.C. 20037.

## ***Safety***

All safety rules defined in the above documents, and all owner/employer safety rules, must be strictly followed when installing and servicing this equipment.

## ***Materials required***

Materials other than standard hand tools that are required to complete tasks are listed where applicable.

## Before Installing Sonic Horn

---

### **IMPORTANT**

**The delivery service is responsible for damage occurring in transit. Martin Engineering CANNOT enter claims for damages. Contact your transportation agent for more information.**

1. Inspect shipping container for damage. Report damage to delivery service immediately and fill out delivery service's claim form. Keep any damaged goods subject to examination.
2. Remove sonic horn assembly from shipping container.
3. If you purchased accessories from Martin Engineering, they will be packaged separately. Remove this equipment from its shipping container.
4. Take inventory of the equipment received. If anything is missing, contact Martin Engineering or representative.

### **⚠ WARNING**

**Before installing sonic horn, lockout / tagout / blockout / testout any equipment that is loading or unloading material from the vessel.**

5. Turn off and lockout / tagout / blockout / testout energy source to accessory equipment according to ANSI standards (see "References").

### **⚠ WARNING**

**If equipment will be installed in an enclosed area, test gas level or dust content before using a cutting torch or welding. Using a cutting torch or welding in an area with gas or dust may cause an explosion.**

6. If using a cutting torch or welding, test atmosphere for gas level or dust content.

## NOTE

**NOTICE OF LIMITED LIABILITY:** Due to possible presence of latent structural defects in the apparatus of the purchaser, Martin Engineering shall not be responsible for consequential damage to the purchaser's equipment and/or apparatus resulting from the application of a Martin® Product. Martin Engineering shall not be liable for improper installation by the purchaser or other circumstances beyond the control of Martin Engineering. Liability is disclaimed for the structural soundness of apparatus or equipment not supplied by Martin Engineering. Liability shall be strictly limited to the replacement of the purchased product or refund of the purchase price. To secure the integrity of the installation, specify supervision by qualified personnel from Martin Engineering.

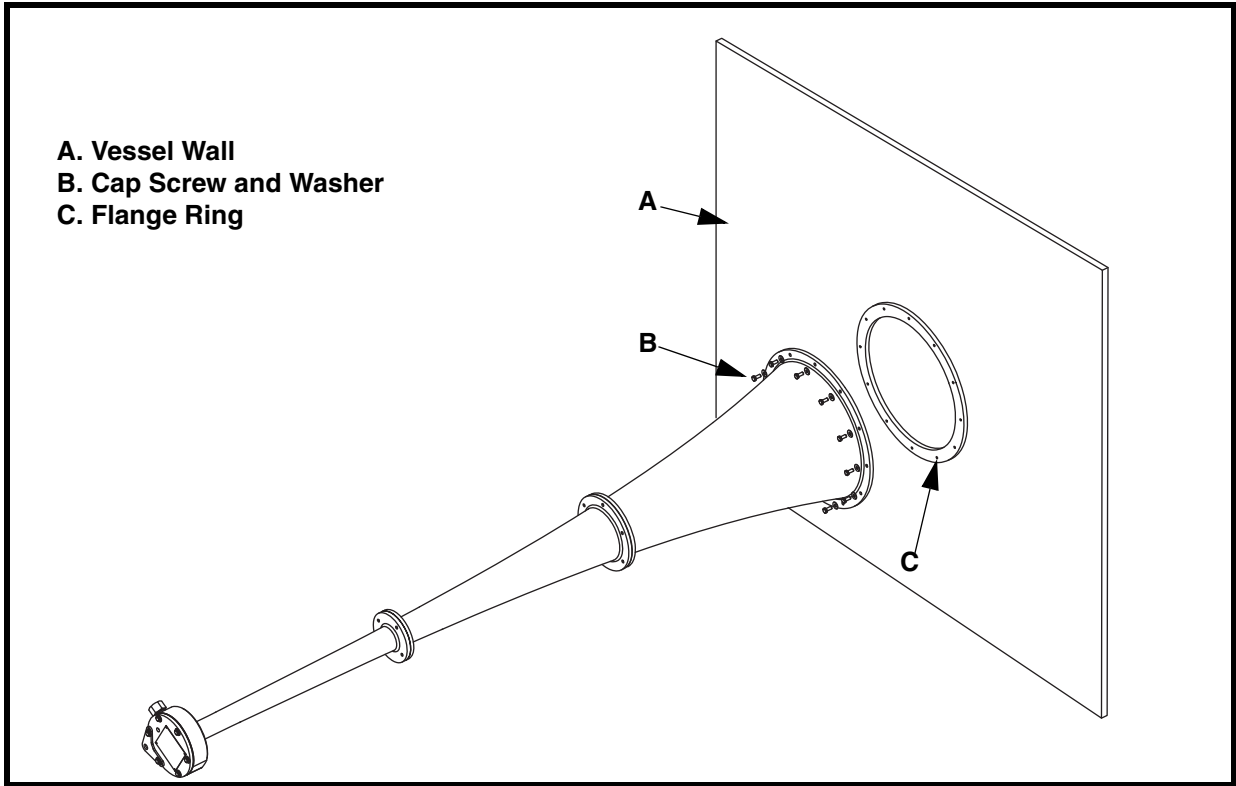
### *Installing sonic horn*

Sonic horns must be solidly mounted to the vessel and the horn must have unrestricted flow. A variety of installation methods and mount plate designs can be used to install sonic horns. This section will describe the installation using the most common methods. If you are not sure how to install the sonic horn for optimum performance and convenience, contact Martin Engineering or a representative.

## NOTE

**If you are unsure where to locate sonic horn(s) on your vessel, contact Martin Engineering or your representative.**

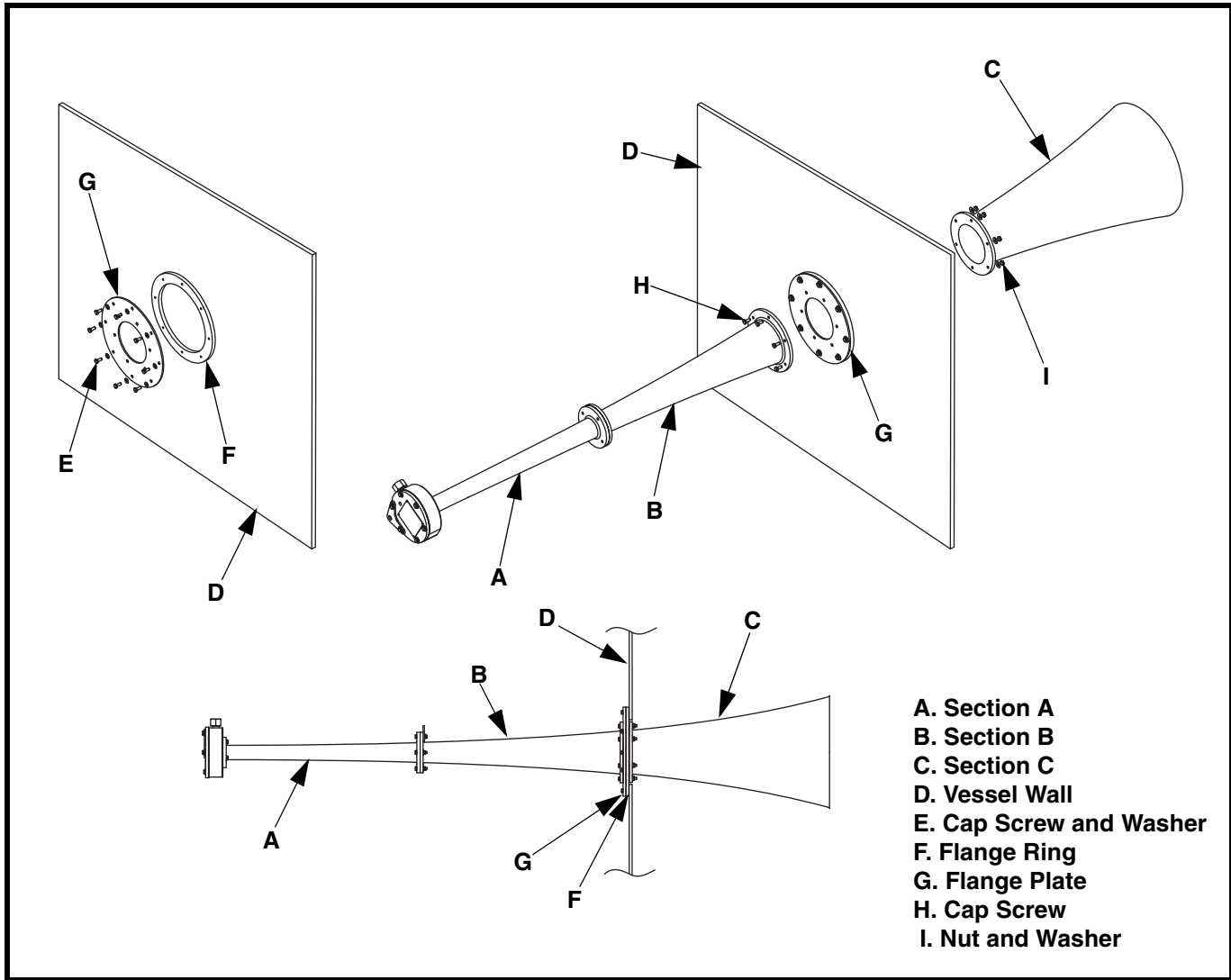
1. Mark location for each sonic horn on vessel. Make sure sonic horn is not positioned where material can flow into horn.



**Figure 1. Flush Mount Installation**

2. For flush mount installations:
  - a. Cut a hole in vessel using flange ring (C) as a template.
  - b. Tack weld flange ring (C) to vessel.
  - c. Attach sonic horn to flange ring (C) using cap screws and washers (B).
  - d. Weld flange ring (C) to vessel. Make a continuous weld around perimeter of flange ring.





**Figure 2. Mid-Mount Installation**

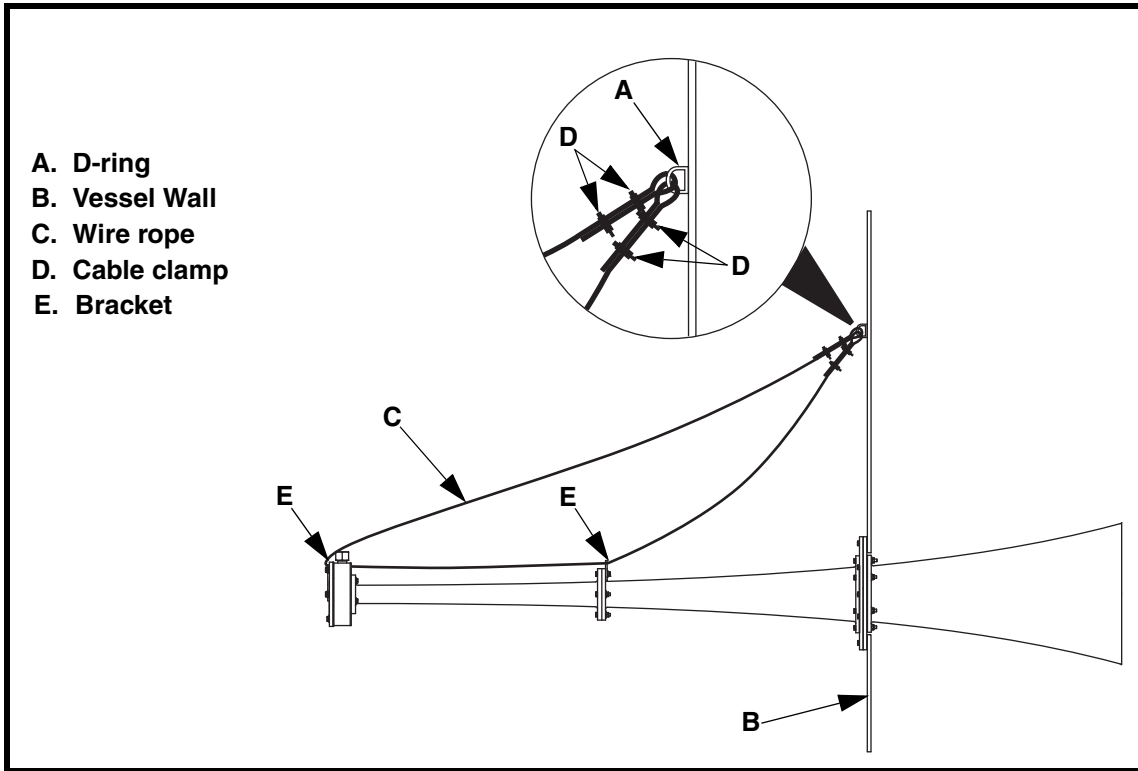
3. For mid-mount installations:
  - a. Cut a hole in vessel using flange ring (F) as a template.
  - b. Tack weld flange ring (F) to vessel.
  - c. Attach flange plate (G) to flange ring (F) using cap screws and washers (E).
  - d. Weld flange ring (F) to vessel. Make a continuous weld around perimeter of flange ring.
  - e. Place sections A and B of sonic horn on the outside of the flange plate (G) and place section C on the inside of the flange plate (G) and place section C on the inside of the flange plate. Attach both sections to flange plate and to each other using cap screws (H) and washers and nuts (I).

*Installing  
restraining cable*

**▲ WARNING**

Always install restraining cable to secure sonic horn to vessel. Without restraining cable, sonic horn could fall and cause injury.

Do not use restraining cable to mount sonic horn to vessel wall. Purpose of restraining cable is to keep sonic horn from falling should it come loose from vessel wall, not as primary means of securing sonic horn to wall.



**Figure 3. Installing Restraining Cable**

1. Weld D-ring (A) onto vessel wall (B) with 1/4-in. (6-mm) field weld.
2. Insert one end of wire rope (C) through D-ring (A) on vessel, making a 3-in. (76-mm) loop.
3. Route wire rope (C) through brackets (E) and back to D-ring on vessel.
4. Insert wire rope (C) through D-ring (A) on vessel, making a 3-in. (76-mm) loop.
5. To fasten each wire loop:
  - a. Clamp wire rope with one cable clamp (D) as close to loop as possible. Place another cable clamp 1-3/4 in. (44 mm) from first clamp.
  - b. Leave at least 1 in. (25 mm) of wire rope on dead end.
  - c. Gradually tighten nuts alternately and evenly to 15 ft-lbs. Leave 2 to 3 in. (51 to 76 mm) slack in wire rope.

## *Connecting air supply to sonic horn*

### **IMPORTANT**

Depending upon the application, a receiver tank may be needed to supply amount of air required to effectively operate sonic horns. For more information contact Martin Engineering or a representative.

### **IMPORTANT**

**Do not use a lubricated air supply for sonic horns.**

1. Apply pipe sealant to all fittings.
2. See Figure 4. Connect 1" lockout ball valve to compressed air source with desired length of 1" pipe. Look at arrow on side of ball valve to make sure flow is correct.
3. Connect air filter/regulator to 1" lockout ball valve with desired length of 1" pipe. Look at arrow on side of air filter/regulator to make sure flow is correct.
4. Connect 1" to 3/4" reducer to air filter/regulator with desired length of 1" pipe.
5. Connect 3-way electrical solenoid valve to 1" to 3/4" reducer with 6" long 3/4" pipe nipple. See Figure 4 for solenoid connections.
6. Connect 3/4" lockout ball valve to solenoid valve using desired length of 3/4" pipe.
7. Connect sonic horn sound generator to 3/4" lockout ball valve using braided stainless steel hose.

### **IMPORTANT**

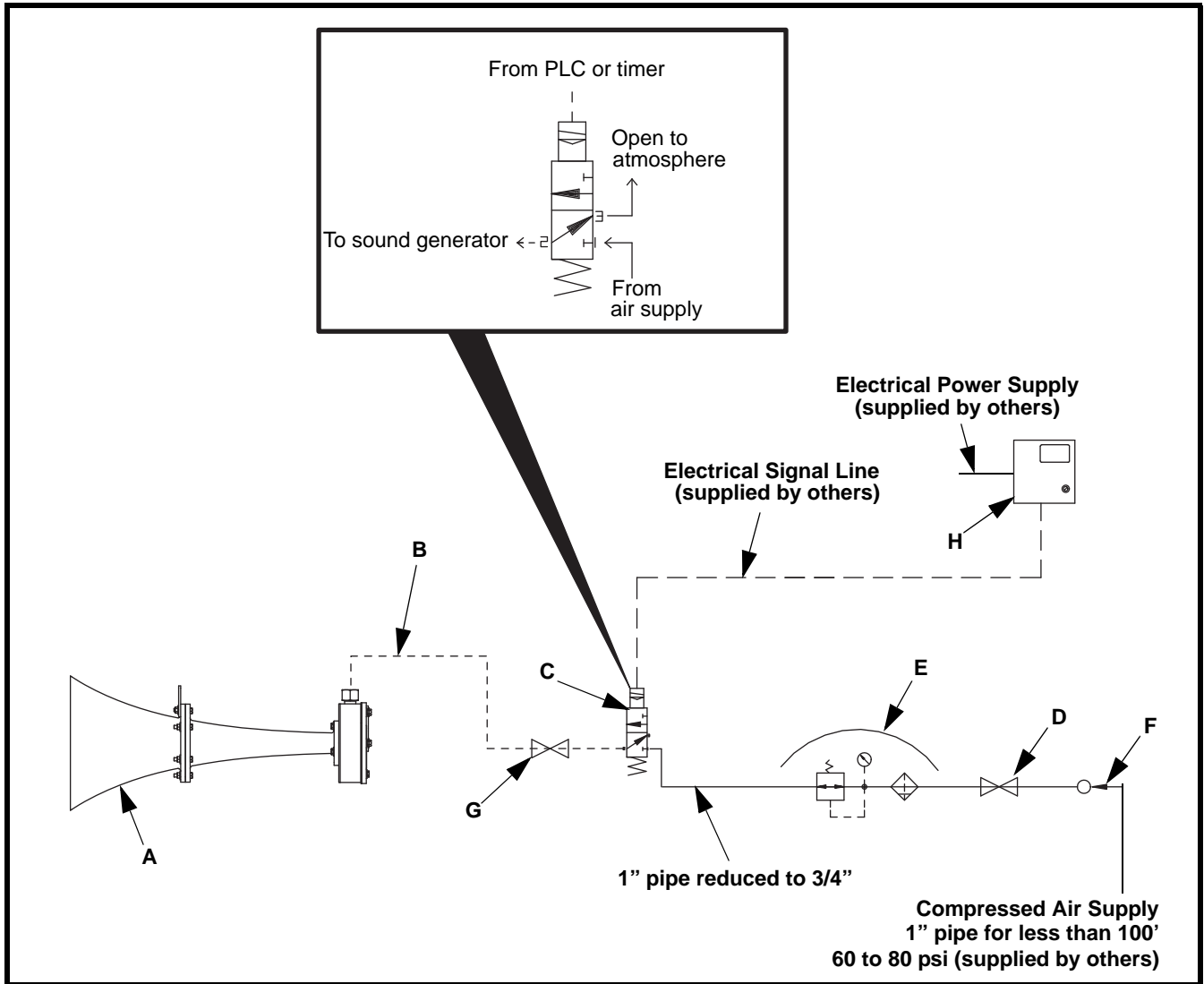
**For electrical solenoid valve installations, design and wire electrical solenoid controls according to NEC Handbook. Electrical push buttons, timers, and programmable controllers are available through Martin Engineering.**

8. For electrical solenoid valve installations, if using electrical solenoid controller, install according to instructions provided with controller.

### **⚠ WARNING**

**Do not exceed 80 psi (5.52 bar) maximum working pressure. Minimum recommended pressure for most applications is 60 psi (4.14 bar), but lower pressures can be used. Make sure air supply is filtered and regulated.**

9. Anchor all pipes and wires to prohibit movement.



**Figure 4. Plumbing Detail for Normally-Closed Solenoid Valve**

Item	Description	Assembly & Kit Part Numbers**
A	Martin® Sonic Horn	SH075-XXXXXXX & SH230XXXXX
B	Braided Stainless Steel Hose 3/4"	38795-5
C	3-Way Solenoid Valve (normally closed)	38794-XXX
D	Lockout Valve 1"	32284-04
E	Filter Regulator Unit	38736
F	Air Supply Pipe 1"	103005 or by others
G	Lockout Valve 3/4"	32284-02
H	Controller/PLC	*

\* Contact MARTIN ENGINEERING for Recommendation.

\*\* Contact MARTIN ENGINEERING for breakdown of parts contained in assemblies and kits.

## After Installing Sonic Horn

---

### **WARNING**

Sonic horns produce intense sound waves. Use ear protection to avoid impairment or loss of hearing.

### **WARNING**

Do not exceed 80 psi (5.52 bar) maximum working pressure. Minimum recommended pressure for most applications is 60 psi (4.14 bar), but lower pressures can be used. Make sure air supply is filtered and regulated.

1. Turn on air supply and open ball valves.
2. Sound sonic horn five times to ensure proper operation.
3. If sonic horn sounds properly, continue to operate as needed. If problems occur, see “Troubleshooting.”
4. If sonic horn does not sound, see “Troubleshooting.”
5. Check system for air leaks. If leaking, see “Troubleshooting.”

## Maintenance

---

**⚠ WARNING**

**Do not open door/port or enter vessel before turning off compressed air source, locking out controls, and purging line pressure.**

Turn off and lockout / tagout / blockout / testout energy source to accessory equipment according to ANSI standards (see “References”).

### *Every month*

1. Inspect all connections from air supply to sonic horn for leaks and deterioration. If connections are leaking, seal all fittings with pipe sealant and tighten. Replace any deteriorating connections. Make sure hoses do not flex more than 1/4 inch (6 mm).
2. Make sure all pipes and wires are anchored to prohibit movement. Secure as needed.
3. Inspect sonic horn for material buildup. Remove buildup as necessary.
4. Inspect electrical solenoid valve, lockout ball valve, and air filter/regulator for proper operation. If not operating correctly, replace.
5. Inspect sound generator for correct operation; If not operating correctly see “Troubleshooting.”

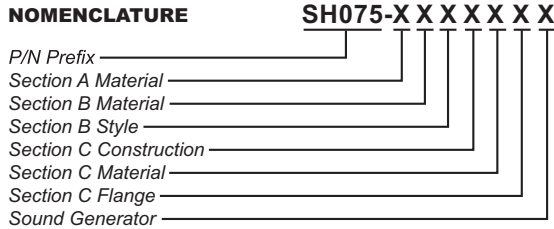
# Troubleshooting

If sonic horn will not sound, find possible cause(s) in appropriate chart below and follow steps in “Solution” column. If after doing so you are still experiencing problems, contact Martin Engineering or a representative.

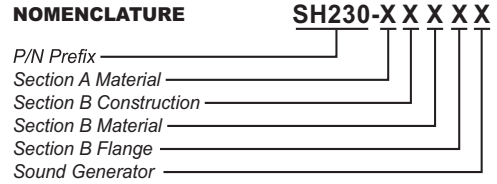
<b>Problem: Sonic Horn Will Not Sound</b>	
<b>Cause</b>	<b>Solution</b>
Compressor source.	Make sure compressor is on and air line has pressure.
Ball valves open.	Check that ball valves are fully open.
Filter/Regulator.	Factory-set at zero. Rotate clockwise to increase. Check plumbing air flow direction (indicated with an arrow).
Solenoid plumbing.	Make sure plumbing is correct. Check for leaks. Check plumbing direction.
Solenoid electrical.	Make sure wiring is connected. Check that voltage is correct. Check for signal.
Blocked discharge— horn makes high-pitched sound.	Remove blockage.
Titanium diaphragm worn.	Replace diaphragm.
Sound generator worn.	Return to Martin Engineering for refurbishing.

# Part Numbers

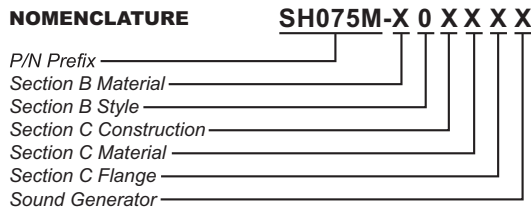
This section provides product names and corresponding part numbers for Martin<sup>®</sup> Sonic Horns and related equipment. Please reference part numbers when ordering parts. Part numbers for accessory equipment not listed here are available from Martin Engineering or representative.



- |  |  |
|--|--|
| <b>SECTION A MATERIAL</b><br>D: Ductile Iron<br>S: Stainless Steel | <b>SECTION C MATERIAL</b><br>D: Ductile Iron<br>S: Stainless Steel<br>M: Mild Steel    |
| <b>SECTION B MATERIAL</b><br>D: Ductile Iron<br>S: Stainless Steel | <b>SECTION C FLANGE</b><br>0: No Flange<br>(N/A with cast sections)<br>1: With Flange  |
| <b>SECTION B STYLE</b><br>0: Straight<br>9: 90 Degree Elbow        | <b>SOUND GENERATOR</b><br>D: Ductile Iron<br>S: Stainless Steel<br>Blank: No Generator |
| <b>SECTION C CONSTRUCTION</b><br>C: Cast<br>F: Fabricated          |  |



- |  |  |
|--|--|
| <b>SECTION A MATERIAL</b><br>D: Ductile Iron<br>S: Stainless Steel | <b>SECTION B FLANGE</b><br>0: No Flange<br>(N/A with cast sections)<br>1: With Flange  |
| <b>SECTION B CONSTRUCTION</b><br>C: Cast<br>F: Fabricated          | <b>SOUND GENERATOR</b><br>D: Ductile Iron<br>S: Stainless Steel<br>Blank: No Generator |
| <b>SECTION B MATERIAL</b><br>D: Ductile Iron<br>S: Stainless Steel |  |



- |   |   |
|---|---|
| <b>SECTION B MATERIAL</b><br>D: Ductile Iron<br>M: Mild Steel<br>S: Stainless Steel             | <b>SECTION C MATERIAL</b><br>D: Ductile Iron<br>S: Stainless Steel<br>M: Mild Steel   |
| <b>SECTION B STYLE</b><br>0: Cast Straight<br>9: Cast 90 Degree Elbow<br>F: Fabricated Straight | <b>SECTION C FLANGE</b><br>0: No Flange<br>(N/A with cast sections)<br>1: With Flange |
| <b>SECTION C CONSTRUCTION</b><br>C: Cast<br>F: Fabricated                                       | <b>SOUND GENERATOR</b><br>D: Ductile Iron<br>Blank: No Generator                      |



**Recommended Spare Parts**

<b>Description</b>	<b>Part No.</b>	<b>Qty*</b>
Sound Generator Body Assembly	38770 (Standard Horn) 38770-M (Mega Horn)	15% of Total Number of Sonic Horns
Sonic Horn Diaphragm/Gasket Kit	38798 (Standard Horn) 38798-M (Mega Horn)	40% of Total Number of Sonic Horns

\*Recommended quantity for two years of operation.

***Accessories***

**Martin® Sonic Horn Mounting Flange Kit: P/N 38800-XXXXXXXXXX**

**Martin® Sonic Horn Air Line Kit: P/N 38793-XXX**

**Martin® Sonic Horn Manifold Plumbing Kit: P/N 38927**

**Martin® Sonic Horn Controller: P/N 38901-S**

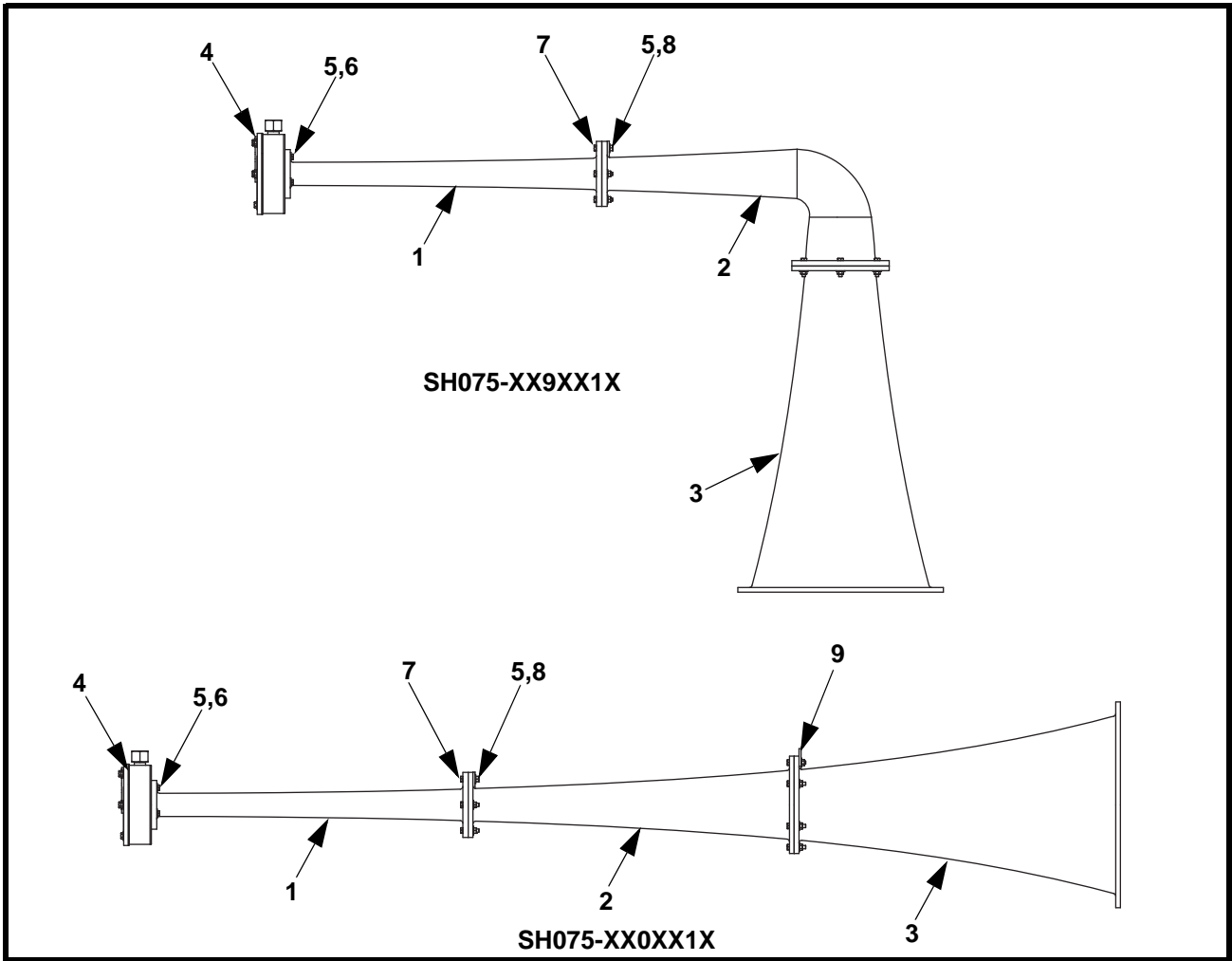


Figure 5. Martin® 75Hz Sonic Horn Assembly, P/N SH075-XXXXXXX

Item	Description	Part No.	Qty
1	75 Hz Section A	Table I	1
2	75 Hz Section B	Table I	1
3	75 Hz Section C	Table I	1
4	Sound Generator Assembly	Table I	1
5	Washer Compression 5/16 SS	38698	13
6	Screw, HHC 5/16-18NC x 1-1/4 SS	38697	3
7	Screw, HHC 5/16-18NC x 1-1/2 SS	SP04436-30	10
8	Nut Hex 5/16-18NC SS	37723	10
9	Safety Cable Clip	38797	2
10 (NS)	D-ring	32265	1
11 (NS)	Cable Clamp	32264	4
12 (NS)	Wire Rope 1/4	100258	12 ft
13 (NS)	Hardware Kit (Items 5–12)	39129	1

NS = Not Shown

**Table I. Martin® 75Hz Sonic Horn Assembly, P/N SH075-XXXXXXX**

<b>Assembly Part No.</b>	<b>Item 1 Part No.</b>
SH075-DXXXXXX	38771-P
SH075-SXXXXXX	38771-SS

<b>Assembly Part No.</b>	<b>Item 2 Part No.</b>
SH075-D0XXXXX	38772-P
SH075-S0XXXXX	38772-SS
SH075-D9XXXXX	38777-P
SH075-S9XXXXX	38777-SS

<b>Assembly Part No.</b>	<b>Item 3 Part No.</b>
SH075-XXXCD1X	38773-P
SH075-XXXCS1X	38773-SS
SH075-XXXFM0X	38773-F0
SH075-XXXFM1X	38773-F1
SH075-XXXFS0X	38773-FC0
SH075-XXXFS1X	38773-FC1

<b>Assembly Part No.</b>	<b>Item 4 Part No.</b>
SH075-XXXXXXD	38770
SH075-XXXXXXS	38770-SS

**Part Numbers**

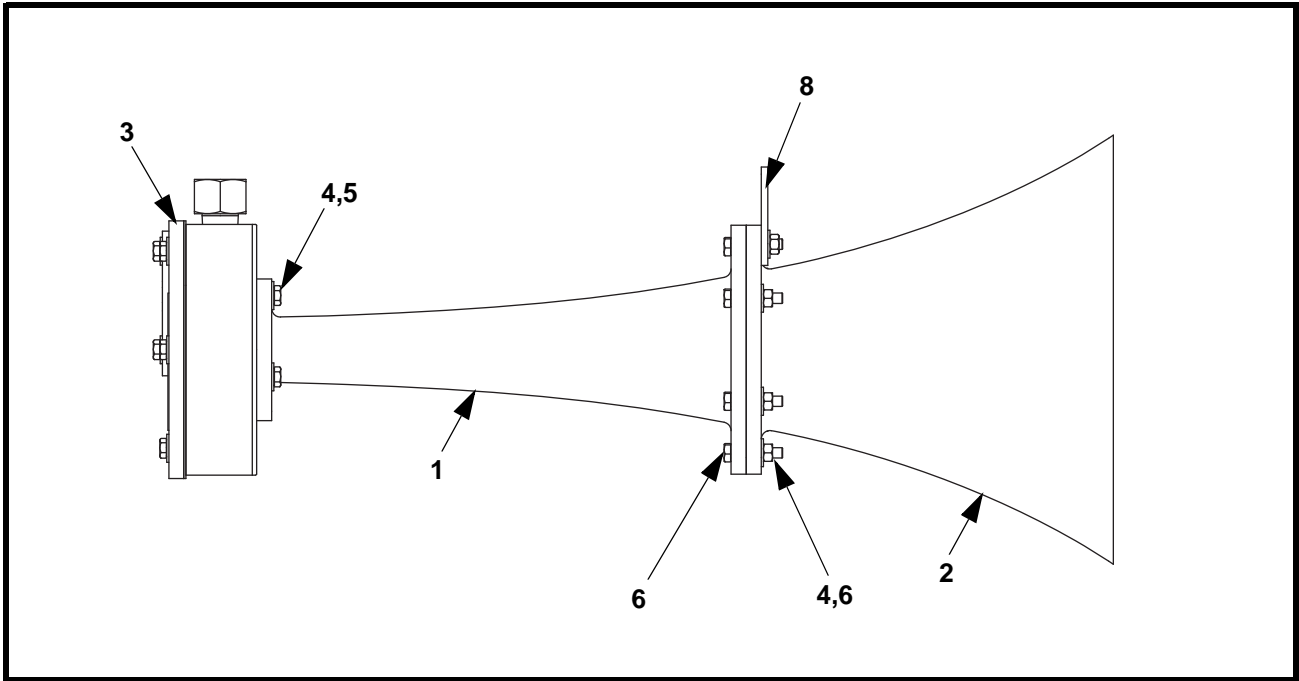


Figure 6. Martin® 230Hz Sonic Horn Assembly, P/N SH230-XXXXX

Item	Description	Part No.	Qty
1	230 Hz Section A	Table II	1
2	230 Hz Section B	Table II	1
3	Sound Generator Assembly	Table II	1
4	Washer Compression 5/16 SS	38698	9
5	Screw, HHC 5/16-18NC x 1-1/4 SS	38697	3
6	Screw, HHC 5/16-18NC x 1-1/2 SS	SP04436-30	6
7	Nut Hex 5/16-18NC SS	37723	6
8	Safety Cable Clip	38797	1
9 (NS)	D-ring	32265	1
10 (NS)	Cable Clamp	32264	4
11 (NS)	Wire Rope 1/4	100258	12 ft
12 (NS)	Hardware Kit (Items 4–11)	39129	1

NS = Not Shown

Table II. Martin® 230Hz Sonic Horn Assembly, P/N SH230-XXXXX

Assembly Part No.	Item 1 Part No.
SH230-DXXXX	38778-P
SH230-SXXXX	38778-SS

Assembly Part No.	Item 2 Part No.
SH230-XCD0X	38779-P
SH230-XCS0X	38779-SS
SH230-XFS0X	38779-FSS0
SH230-XFS1X	38779-FSS

Assembly Part No.	Item 3 Part No.
SH230-XXXXD	38770
SH230-XXXXS	38770-SS

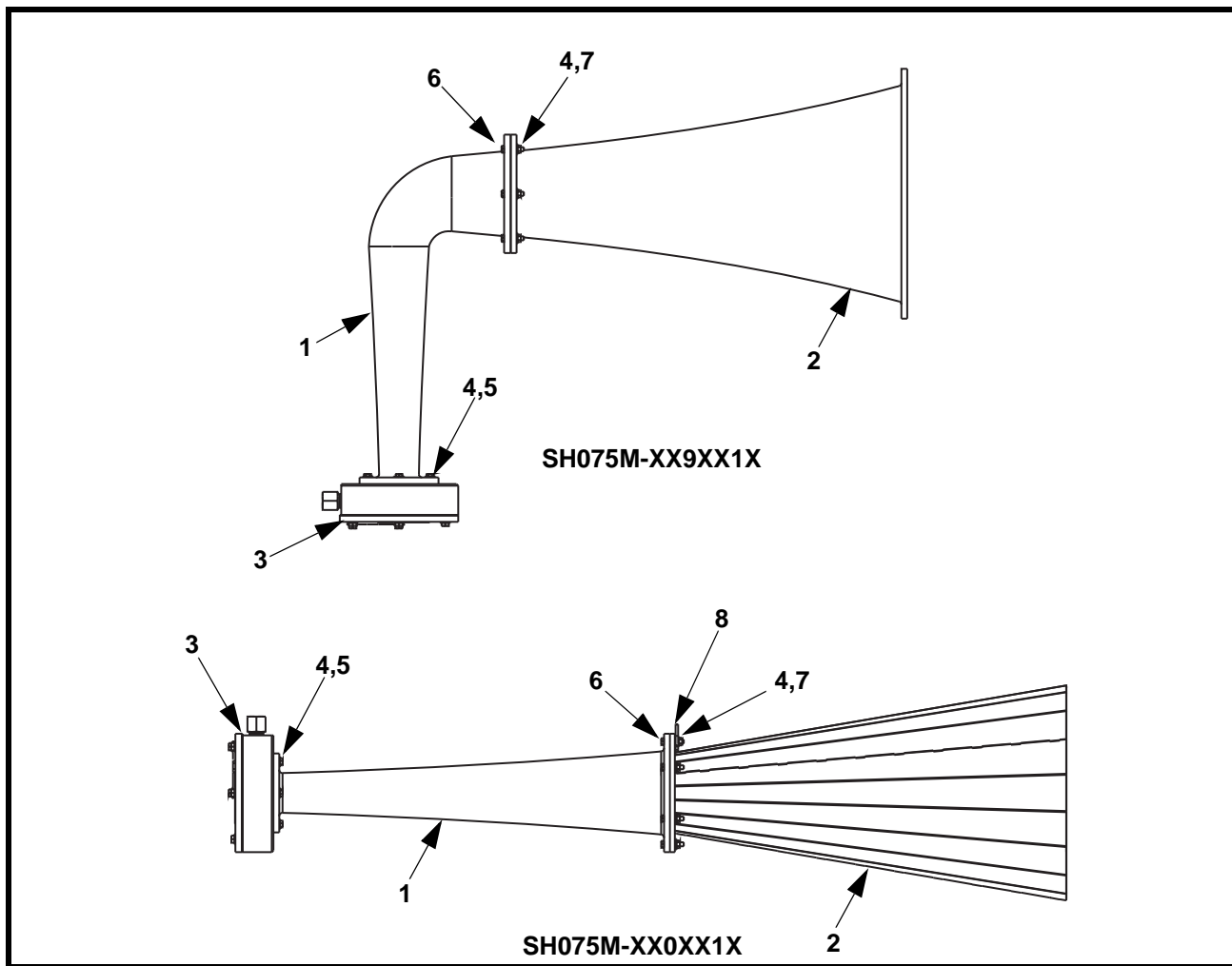


Figure 7. Martin® 75Hz Mega Horn Assembly, P/N SH075M-XXXXXX

Item	Description	Part No.	Qty
1	75 Hz Section B	Table III	1
2	75 Hz Section C	Table III	1
3	Sound Generator Assembly	38770-M	1
4	Washer Compression 5/16 SS	38698	10
5	Screw, HHC 5/16-18NC x 1-1/4 SS	38697	4
6	Screw, HHC 5/16-18NC x 1-1/2 SS	SP04436-30	6
7	Nut Hex 5/16-18NC SS	37723	6
8	Safety Cable Clip	38797	1
9 (NS)	D-ring	32265	1
10 (NS)	Cable Clamp	32264	4
11 (NS)	Wire Rope 1/4	100258	12 ft
12 (NS)	Hardware Kit (Items 4–11)	39129	1

NS = Not Shown

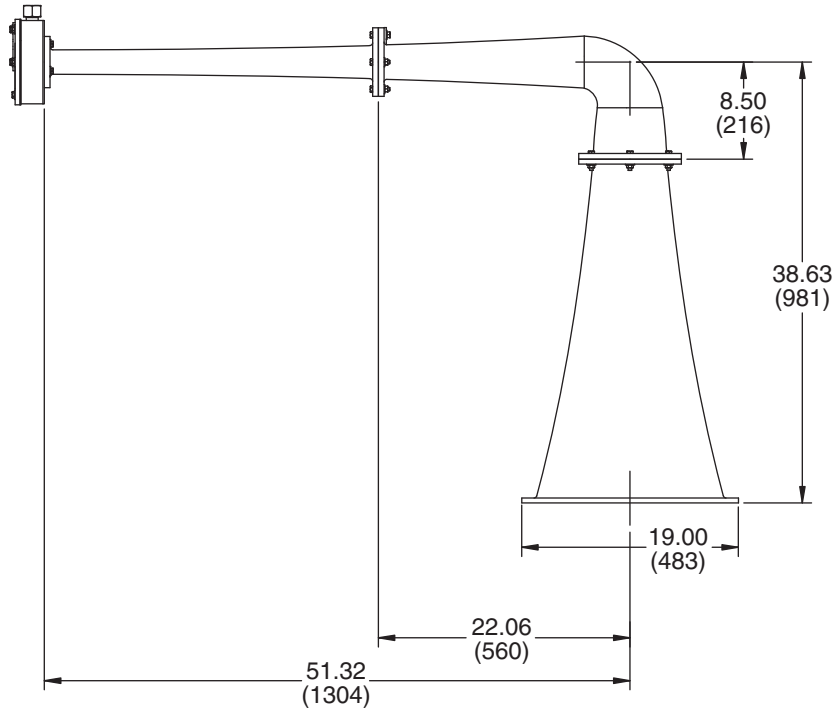
**Table III. Martin® 75Hz Mega Horn Assembly, P/N SH075M-XXXXXX**

<b>Assembly Part No.</b>	<b>Item 1 Part No.</b>
SH075M-D0XXXX	38772-P
SH075M-S0XXXX	38772-SS
SH075M-D9XXXX	38777-P
SH075M-S9XXXX	38777-SS
SH075M-MFXXXX	38777-F
SH075M-SFXXXX	38777-FC

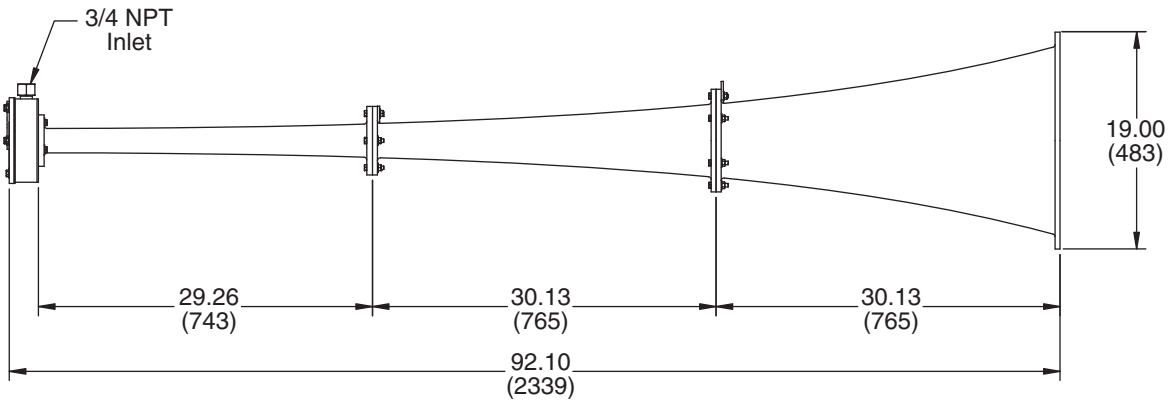
<b>Assembly Part No.</b>	<b>Item 2 Part No.</b>
SH075M-XXCD1X	38773-P
SH075M-XXCS1X	38773-SS
SH075M-XXFM0X	38773-FO
SH075M-XXFM1X	38773-F1
SH075M-XXFS0X	38773-FC0
SH075M-XXFS1X	38773-FC1

**Appendix A**  
**Martin® Sonic Horns Specifications**

Martin® 75Hz Sonic Horn Dimensions, P/N SH075-XXXXXXX



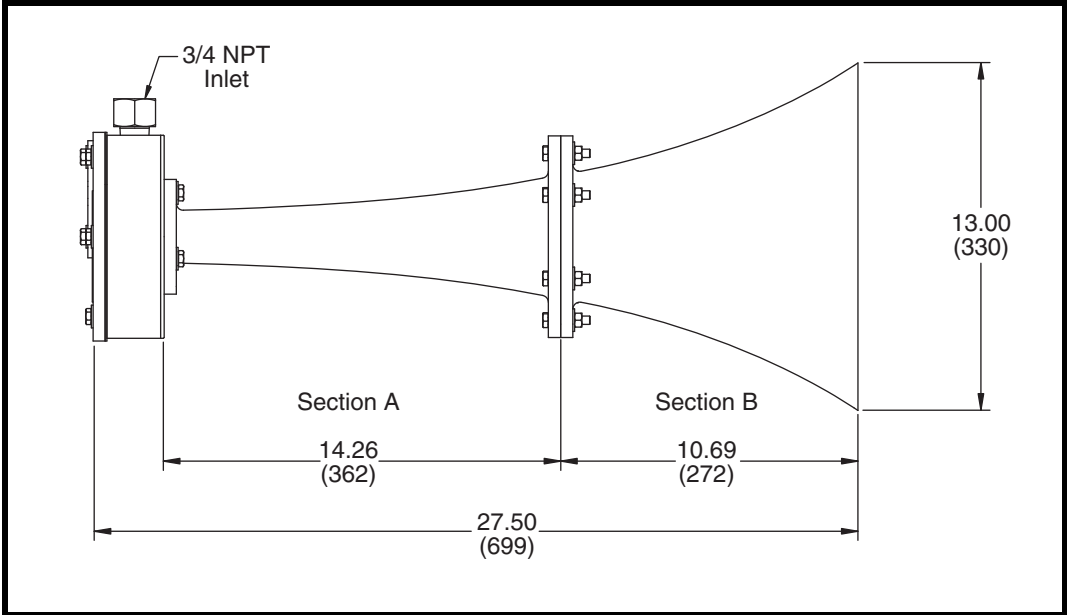
SH075-XX9XX1X



SH075-XX0XX1X

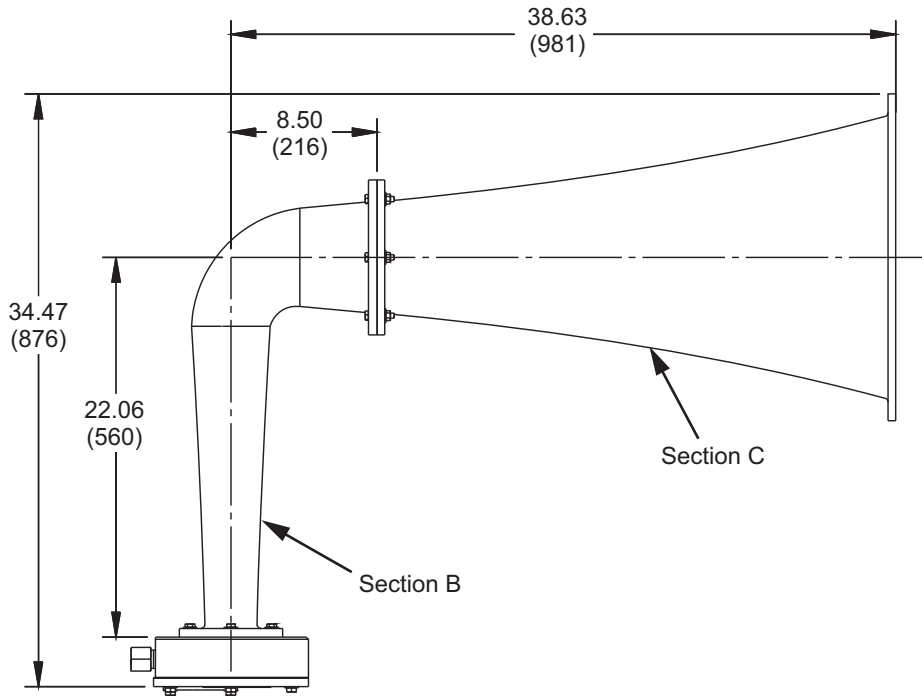


Martin® 230Hz Sonic Horn Dimensions, P/N SH230-XXXXX

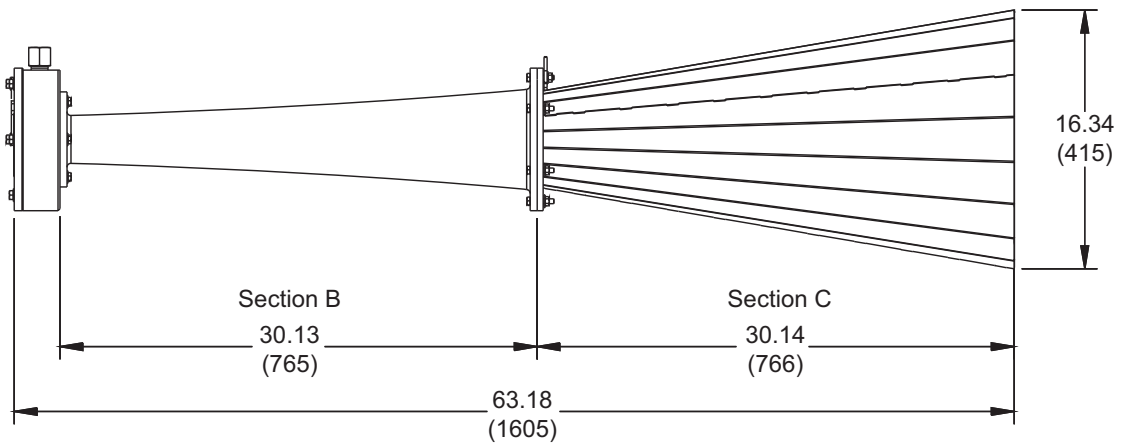


Appendix A

Martin® 75Hz Mega Horn Dimensions, P/N SH075M-XXXXXX



SH075M-X9CX1D



SH075M-X0FX0D

### Martin® 75Hz Sonic Horn Specifications

<b>Fundamental Frequency (Hertz)</b>	75 Hz		
<b>Output Power Level (Decibels)</b>	147 dB		
<b>Material*</b>	<b>Section A</b>	<b>Section B</b>	<b>Section C</b>
	Cast Ductile Iron	Cast Ductile Iron	Cast Ductile Iron
	Stainless Steel	Stainless Steel	Stainless Steel
			Mild Steel
<b>Diaphragm Material</b>	Titanium		
<b>Max Operating Temperature (Cast Ductile Iron)</b>	1200°F (650°C)		
<b>Max Operating Temperature (Stainless Steel)</b>	1600°F (870°C)		
<b>Weight</b>	190 lbs (86.2 kg)		
<b>Air Consumption</b>	80 SCFM @ 80 PSI (38 l/s @ 6.21 bar)		

\*Sonic Horn can be any combination of listed materials.

Cast Ductile Iron is ASTM A-240. Stainless Steel is ASTM A-395 60-40-18.

### Martin® 230Hz Sonic Horn Specifications

<b>Fundamental Frequency (Hertz)</b>	230 Hz	
<b>Output Power Level (Decibels)</b>	150 dB	
<b>Material*</b>	<b>Section A</b>	<b>Section B</b>
	Cast Ductile Iron	Cast Ductile Iron
	Stainless Steel	Stainless Steel
<b>Diaphragm Material</b>	Titanium	
<b>Max Operating Temperature (Cast Ductile Iron)</b>	1200°F (650°C)	
<b>Max Operating Temperature (Stainless Steel)</b>	1600°F (870°C)	
<b>Weight</b>	54 lbs (24.6 kg)	
<b>Air Consumption</b>	80 SCFM @ 80 PSI (38 l/s @ 6.21 bar)	

\*Sonic Horn can be any combination of listed materials.

Cast Ductile Iron is ASTM A-240. Stainless Steel is ASTM A-395 60-40-18.

### Martin® 75Hz Mega Horn Specifications

<b>Fundamental Frequency (Hertz)</b>	75 Hz	
<b>Output Power Level (Decibels)</b>	160 dB	
<b>Material*</b>	<b>Section B</b>	<b>Section C</b>
	Cast Ductile Iron	Cast Ductile Iron
	Stainless Steel	Stainless Steel
		Mild Steel
<b>Diaphragm Material</b>	Titanium	
<b>Max Operating Temperature (Cast Ductile Iron)</b>	1200°F (650°C)	
<b>Max Operating Temperature (Stainless Steel)</b>	1600°F (870°C)	
<b>Weight</b>	130–190 lbs (59–86 kg)	
<b>Air Consumption</b>	100 SCFM @ 80 PSI (47 l/s @ 6.21 bar)	

\*Sonic Horn can be any combination of listed materials.

Cast Ductile Iron is ASTM A-240. Stainless Steel is ASTM A-395 60-40-18.

*Any product, process, or technology described here may be the subject of intellectual property rights reserved by Martin Engineering Company. Trademarks or service marks designated with the ® symbol are registered with the U.S. Patent and Trademark Office and may be proprietary in one or more countries or regions. Other trademarks and service marks belonging to Martin Engineering Company in the United States and/or other countries or regions may be designated with the “TM” and “SM” symbols. Brands, trademarks, and names of other parties, who may or may not be affiliated with, connected to, or endorsed by Martin Engineering Company, are identified wherever possible. Additional information regarding Martin Engineering Company’s intellectual property can be obtained at [www.martin-eng.com/trademarks](http://www.martin-eng.com/trademarks).*

**Problem Solved™**  
***GUARANTEED!***



**Martin Engineering USA**

One Martin Place  
Neponset, IL 61345-9766 USA  
800 544 2947 or 309 852 2384  
Fax 800 814 1553  
[www.martin-eng.com](http://www.martin-eng.com)

**COMPANY WITH  
QUALITY SYSTEM  
CERTIFIED BY DNV  
= ISO 9001:2008 =**