

Durt Hawg® DH2 Cleaner



The **Durt Hawg® DH2 Cleaner** is an economical, effective cleaning system. Urethane arms absorb forces of splice passage to relieve stress on belt and cleaning edge.

SPECIFICATIONS

Durt Hawg® DH2 Cleaner <i>Tungsten Carbide Blades</i>	Max. Belt Speed fpm (m/sec)		Max. Service Temp. °F (°C)		Mounting Distance in. (mm)	Wear Life in. (mm)	Recommended Tensioners
	750 (3.8)	Continuous 150° (65°)	Intermittent 180° (82°)				
					5.5 (140)	0.5 (13)	Martin® Twist Tensioner P/N 38850

ORDER INFORMATION

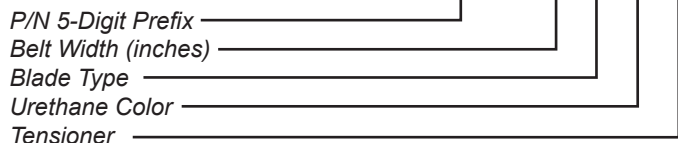
Cleaner Assembly	
Type	P/N
Durt Hawg® DH2 Cleaner	37144-XXXXX

Replacement Blade	
Type	P/N
Long Arm	29033-L
Short Arm	29033-S
Tungsten Carbide Blade	34574
Stainless Steel Blade	30340
Mild Steel Blade	30339
Snap-On Urethane Blade <i>w/mild steel holder</i>	32364-MS
<i>w/stainless steel holder</i>	32364-SS
Stainless Steel "T" Blade	35380-01

* Assemblies can be ordered with mainframe and blades only, or with Mounts and Tensioner Assemblies.

NOMENCLATURE

37144 - XX X XX X



BLADE TYPE

- M:** Mild Steel
- T:** Tungsten Carbide
- S:** Stainless Steel

URETHANE COLOR

- BR:** Brown
- GR:** Green
- Blank:** Orange

TENSIONER

- T:** Martin® Twist Tensioner
- Blank:** No Tensioner

TECHNICAL DATA SHEET

DIMENSIONS—in. (mm)

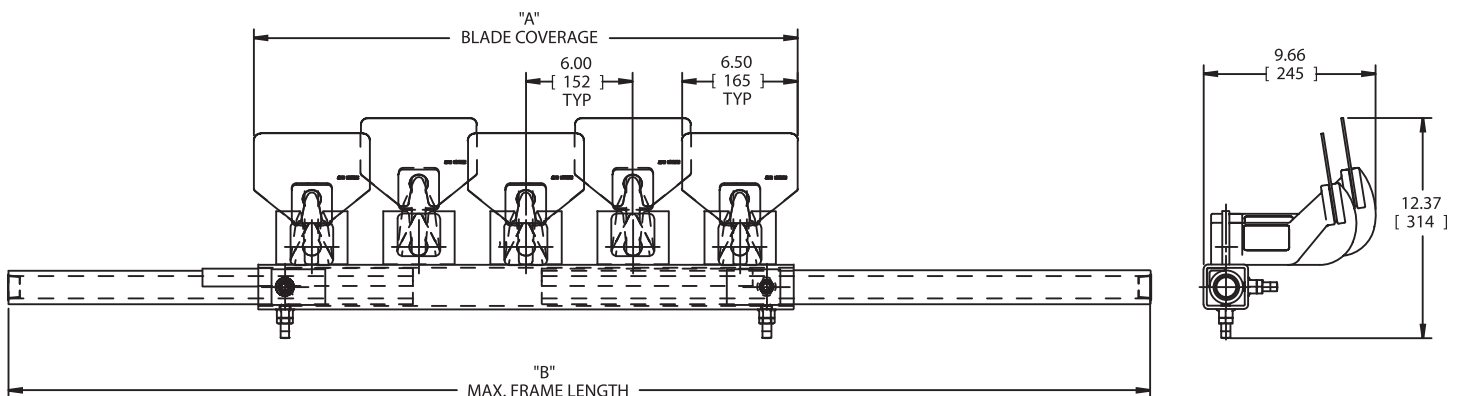
Belt Width* in. (mm)	Blade Coverage A in. (mm)	Mainframe Length** B in. (mm)	Blade Qty.	Ship Weight lb (kg)
18 (400-500)	12.5 (318)	40 (1016)	2	65 (29.5)
24 (500-650)	18.5 (470)	46 (1168)	3	74 (33.6)
30 (650-800)	24.5 (623)	58 (1473)	4	95 (43.1)
36 (800-1000)	30.5 (775)	64 (1626)	5	102 (46.3)
42 (1000-1200)	36.5 (927)	72 (1829)	6	108 (48.9)
48 (1200-1400)	42.5 (1080)	76 (1930)	7	116 (52.6)
54 (1400-1600)	48.5 (1232)	82 (2083)	8	123 (55.8)
60 (1600-1800)	54.5 (1384)	88 (2235)	9	130 (59.0)
72 (1800-2000)	66.5 (1689)	106 (2692)	11	157 (71.2)
84 (2000-2200)	78.5 (1994)	123 (3124)	13	199 (90.2)
96 (2200-2400)	90.5 (2299)	135 (3429)	15	219 (99.3)

Note: If a secondary cleaner requires an even number of blades, equal numbers of long and short arms will be supplied. If cleaner requires an odd number of blades, one additional short arm will be used.

*Metric belt widths given are standard industry belting sizes rather than conversions.

**Extra-long mainframes are available. See your Martin Engineering representative for assistance in specifying nonstandard products.

Durt Hawg® DH2 Cleaner



Martin Engineering USA

One Martin Place
 Neponset, IL 61345-9766 USA
 800 544 2947 or 309 852 2384
 Fax 800 814 1553
www.martin-eng.com

**COMPANY WITH
 QUALITY SYSTEM
 CERTIFIED BY DNV
 = ISO 9001:2008 =**

Problem Solved™ GUARANTEED!

Form No. L3741-08/12
 © Martin Engineering Company 2011, 2012